

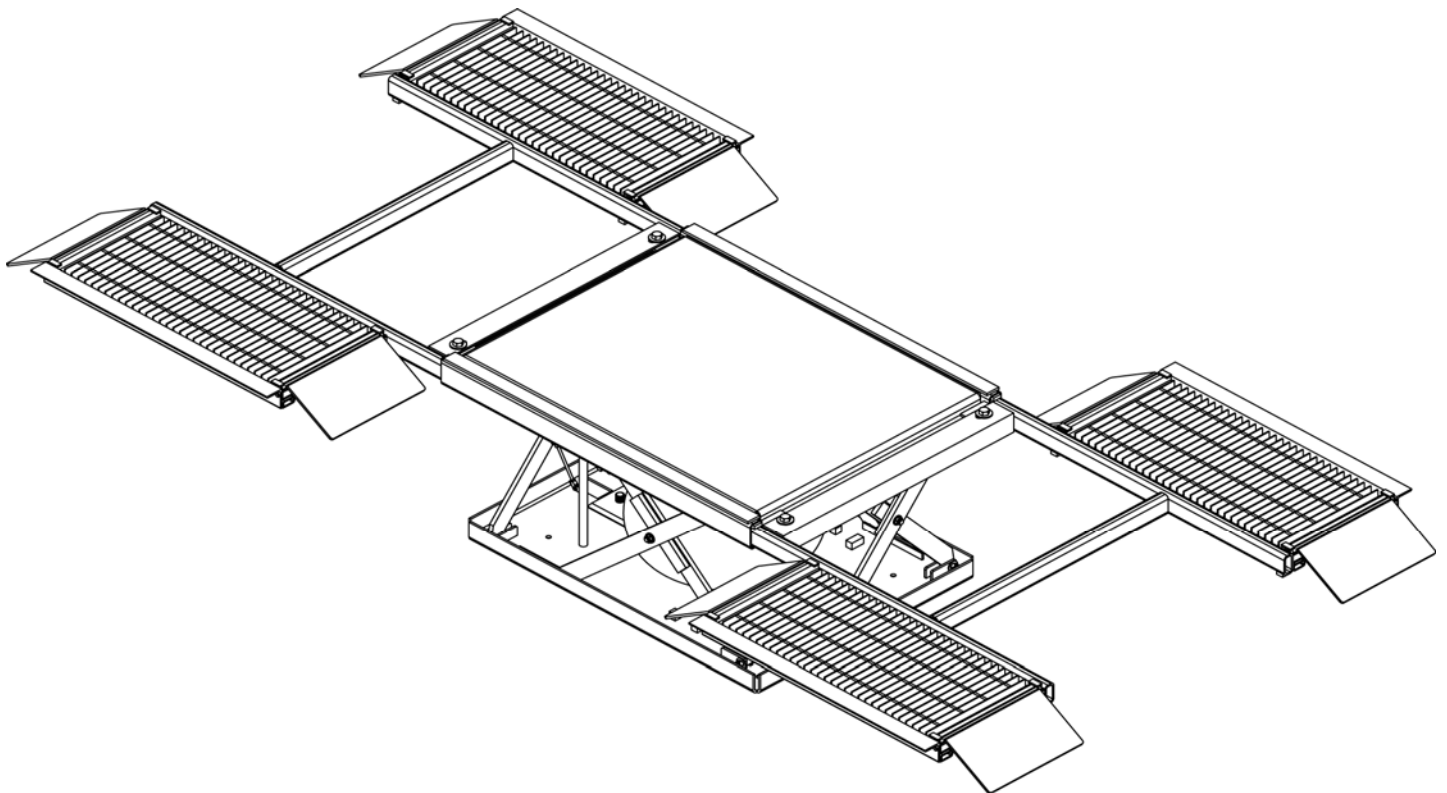
## *K900S*

### *OWNERS MANUAL*



This manual contains important information concerning the installation and operation of the automobile lift listed above. **Read manual thoroughly and keep for future reference**

INSTRUCTIONS



Herkules Equipment Corporation  
248-960-7100

2760 Ridgeway Court  
800-444-4351

Walled Lake, MI 48390-1662 USA  
Fax 248 960-7109

Patents USA 7070167 4793369, 4960142, 5174317, 5193561, 5485860 Canada 1299468 & Patents Pending  
website: [www.herkules.us](http://www.herkules.us) Made in the USA e-mail: [info@herkules.us](mailto:info@herkules.us)

# Table of Contents

Warnings	3
Model Information	4
Installation	5
Operation	6
Maintenance Instructions	7
Troubleshooting	7
Optional Accessories	8
Parts List	9

## Warning Symbol



This symbol alerts you to the possibility of serious injury or death if you do not follow the instructions.

## Caution Symbol



This symbol alerts you to the possibility of damage to or destruction of equipment if you do not follow the instructions.

Serial Number

---

Model Number


---

Purchase Date

---

Distributor

---



This product has patent protection under one or more of the following patent numbers:

7070167, 5485860, 5193561, 5174317  
4960142, 4793369, 1299468  
and Patents Pending

website: [www.herkules.us](http://www.herkules.us) 1002742

## Limited Liability Warranty

The limited liability warranty applies to the pneumatic chambers of our Herkules lifts and to the initial user against defective materials for a period of five years from the proof of purchase date. The limited liability warranty applies to other components of our Herkules lifts to the initial user against defective materials for a period of one year from the proof of purchase date.

This warranty does not apply to equipment damaged from accident, abuse, overload, misuse, negligence, improper installation, abrasive or corrosive materials, or shipping damage.

In the event of failure, the defective item must be returned, freight prepaid, to the Herkules manufacturing plant for repair or replacement. If repairs are required Herkules will not be liable for these repairs to take place in the field regardless of the application. Proof of purchase and date of purchase must be confirmed. An RGA number (Return Goods Authorization) and written approval from Herkules must be obtained before any goods can be shipped to Herkules. Herkules reserves the right to determine whether the cause of failure is due to defective material, normal wear, and/or other causes.

# Warnings

THIS MANUAL CONTAINS IMPORTANT INFORMATION CONCERNING THE INSTALLATION AND OPERATION OF VEHICLE LIFTS.

WE OFFER TWO SUGGESTIONS:

- READ ALL MANUALS THOROUGHLY BEFORE INSTALLATION.
- KEEP ALL MANUALS FOR FUTURE REFERENCE.

## CAUTION

- 1 Do not exceed the rated load capacity of the lift.
- 2 Do not continue to push the control lever after lift is fully raised, even though safety valve will prevent over-inflation of air bag.
- 3 Use lift only on level surfaces.
- 4 Keep clear of lift while it is in motion.
- 5 Do not use air supply exceeding 120 PSI.
- 6 Do not leave a vehicle raised on the lift overnight.
- 7 Do not operate lift with defective Control assembly.
- 8 Never for any reason put arm or any other body part inside lift.

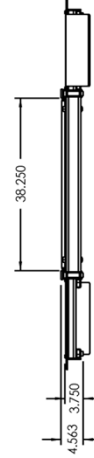
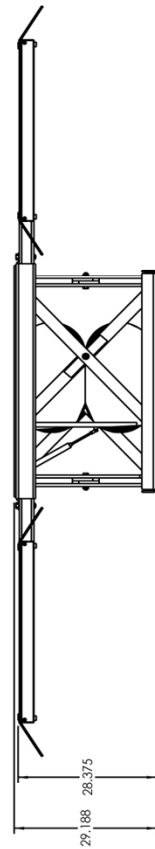
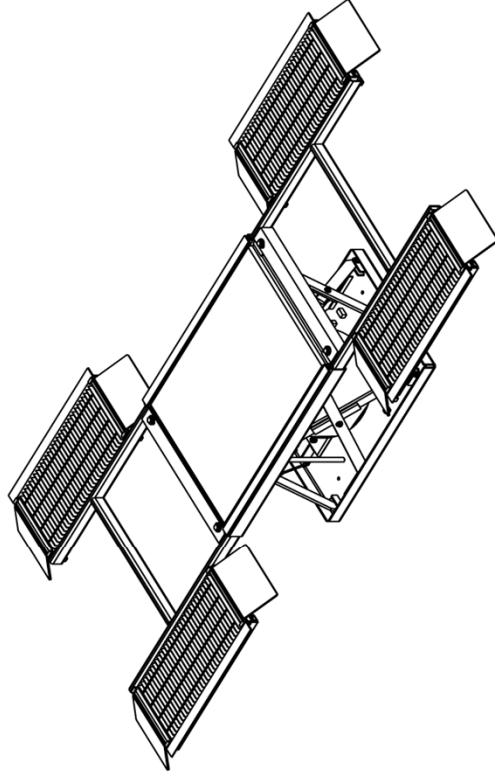
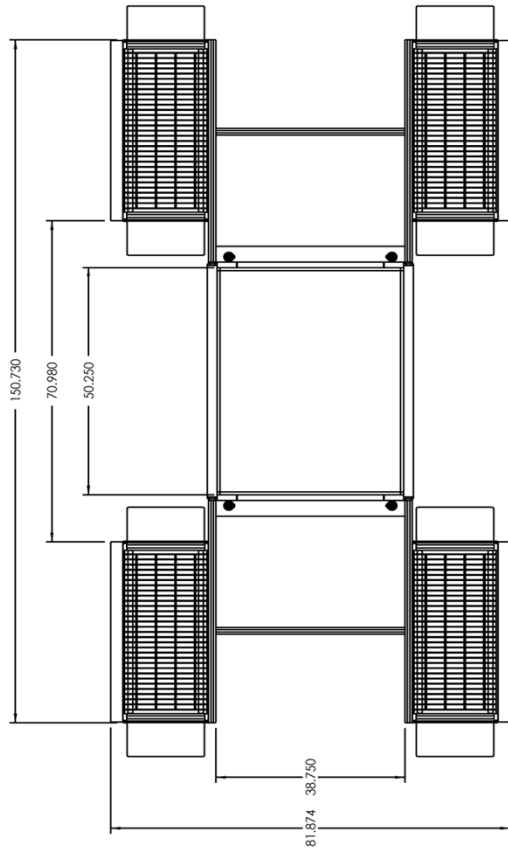
## WARNING

- 1 Herkules will not be held responsible for any personal injury and/or property damage due to owner/operator failure to follow the warnings and cautions listed in this manual.
- 2 Read and understand all warnings, cautions, instructions and manuals before operating this equipment.
- 3 It is the owner/operators responsibility to maintain the legibility of all warning and instruction labels.
- 4 DO NOT alter or modify any part of this equipment.
- 5 DO NOT attempt to bypass the safety lock system.
- 6 DO NOT tamper with pressure relief valve system inside the lift.
- 7 DO NOT operate lift while person(s) are in the vehicle
- 8 ALWAYS check equipment regularly for proper operation and repair or replace worn or damaged parts immediately.
- 9 ALWAYS remove damaged lifts from service until repairs are made to the unit. Use only manufacturer's approved parts and accessories.

PART # K900S

REVISIONS		
REV.	DESCRIPTION	DATE
A	UPDATED 98S WING KIT (P/N 15245)	2/5/2013

APPROVED  
SW



**CONFIDENTIAL**  
 THE INFORMATION CONTAINED ON THIS DRAWING IS BOTH CONFIDENTIAL AND PROPRIETARY. IT IS THE SOLE PROPERTY OF HERKULES EQUIPMENT CORPORATION. ANY REPRODUCTION IN PART OR AS A WHOLE WITHOUT THE WRITTEN PERMISSION OF HERKULES EQUIPMENT CORPORATION IS PROHIBITED AND MAY BE UNLAWFUL.

**hercules**  
 2760 RIDGEWAY COURT • WAUKEGAN, IL 60087-1602

ITEM: LIFT VEHICLE FIXED WINGS SUSP&TRES

TOLERANCES UNLESS OTHERWISE NOTED:  
 X + .250  
 XX + .125  
 XXX + 0.030  
 XXXX + 0.0150  
 ANGLE ± 1°

DATE: JP 7/5/2006 MATERIAL:  
 PART#: K900S CND. BY: JMG/ICD Q2063854 REV: A SHEET: 1 OF 1

# Installation

## STEP 1

Locate lift on a level surface in a position most convenient for the loading and unloading of vehicles.

## STEP 2

Obtain hose clamps

ID	Part #	Description	Qty.
1	720-120	CLAMP HOSE WIDE BAND # 6 SS/Z	1
2	720-122	CLAMP HOSE # 4 SS/Z	1

## STEP 3

Using the #6 hose clamp (720-120), clamp the 3/8" ID air line (003-600) from the lift to hose barb (M27) on the hand control assembly (see fig.1).

## STEP 4

Using the #4 hose clamp (720-122), clamp the 1/4" ID air line (720-106) from the lift to hose barb (730-117) on the hand control assembly (see fig.1).

*NOTE: Check these connections periodically to prevent leakage.*

## STEP 5

Obtain 1/4 NPT connector compatible with the quick disconnect on your shop air line.

*NOTE: Connector not supplied with lift.*

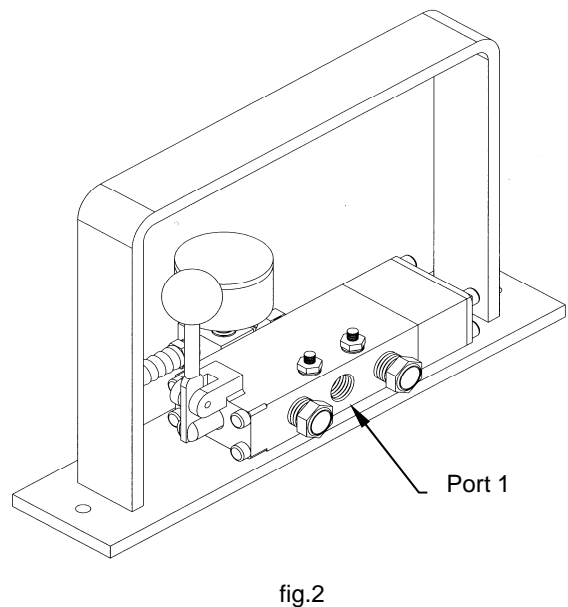
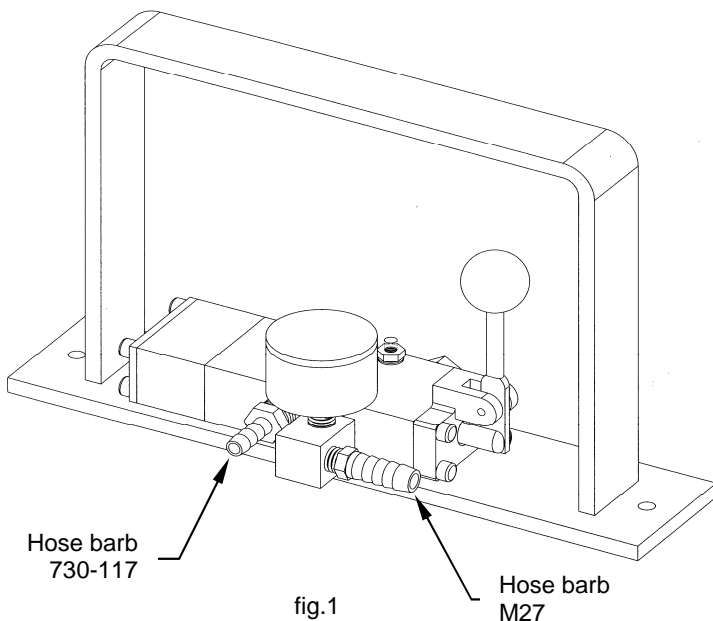
## STEP 6

Install 1/4 NPT connector into open port (Port 1) on hand control valve (see fig.2).

## STEP 7

Connect your shop air line to connector and test for proper operation.

*NOTE: Must use clean, dry air only. Herkules recommends using a filter/regulator (see Optional Accessories).*



# Operation

## STEP 1

Check the weight of the vehicle to be sure that it does not exceed the rated load capacity of the lift: **5,000 lbs.**

## STEP 2

Drive the vehicle over the first set of ramps and onto the second set of ramps so that all four tires are on the lift, and position the vehicle so that the vehicle is centered by weight over the center of the lift. Once the vehicle is in the desired position, set the parking brake of the vehicle.

## STEP 3

To raise the lift, move the lever of the hand controller assembly into the UP position. Hold the lever in the UP position until vehicle has reached the desired working height, then release. The mechanical safety arms will automatically fall into position as the lift rises.

*Do not continue to push the control lever after lift is fully raised, even though safety valve will prevent over-inflation of air bag.*

*NOTE: Check the stability of the vehicle during the lifting process, and when vehicle is at desired working height. If vehicle is unstable, immediately stop the lifting process, slowly lower the lift and reposition vehicle.*

## STEP 4

To lower the lift, move the lever of the hand controller assembly into the DOWN position. Hold the lever in the DOWN position until the lift is completely lowered and the wheel platforms are resting on the ground. The mechanical safety arms will swing up during descent.

*NOTE: Check the stability of the vehicle during the lowering process. If vehicle is unstable, immediately stop and diagnose the issue before continuing to lower the lift.*

## STEP 5

Once the lift is completely lowered, drive the vehicle off of the lift.

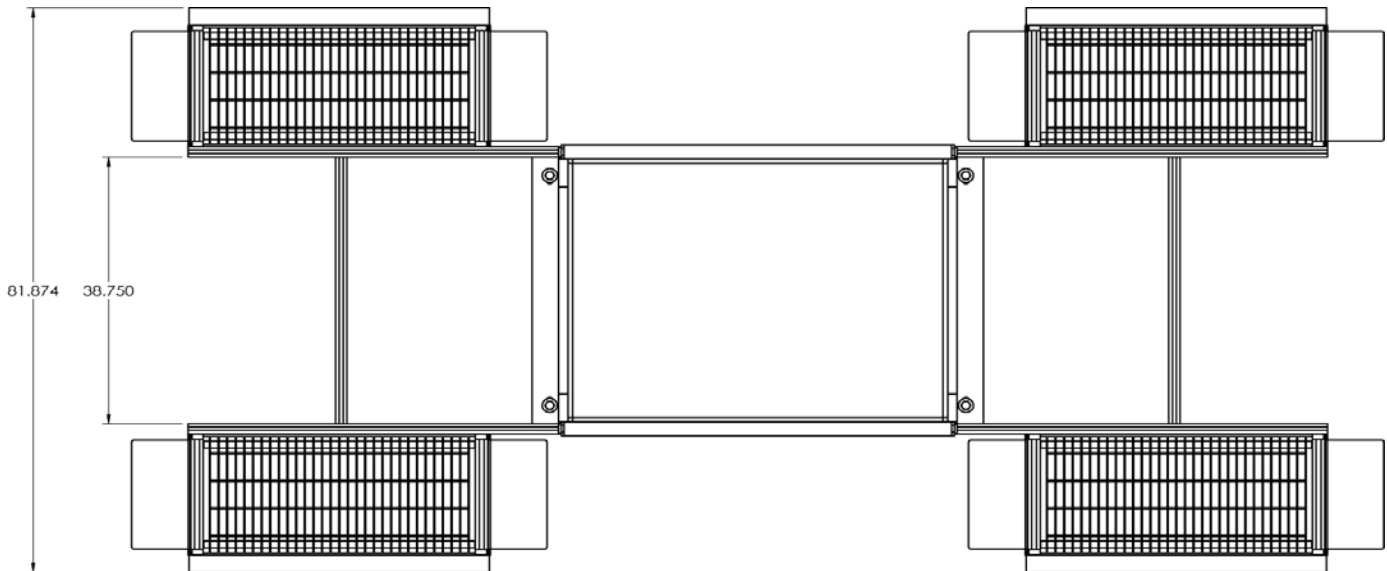


fig.3

# Maintenance Instructions

## STEP 1

Check clamps and hose connections periodically for tightness to prevent air leakage.

## STEP 2

Make sure all moving parts are clean and unobstructed by foreign objects.

## STEP 3

Clean filter element every 3 months if applicable.

## STEP 4

Grease and oil pivot points once every 3 months.

Lubricate daily if lift is in high cycle application.

## STEP 5

Use 90-weight gear lube (SAE 85W 140 EP) to lubricate the pivots and shafts once every 3 months or as needed.

## STEP 6

Grease the upper and lower wheel channels every 3 months or as needed.

## STEP 7

Lubricate lock mechanism pivot points every 3 months or as needed.

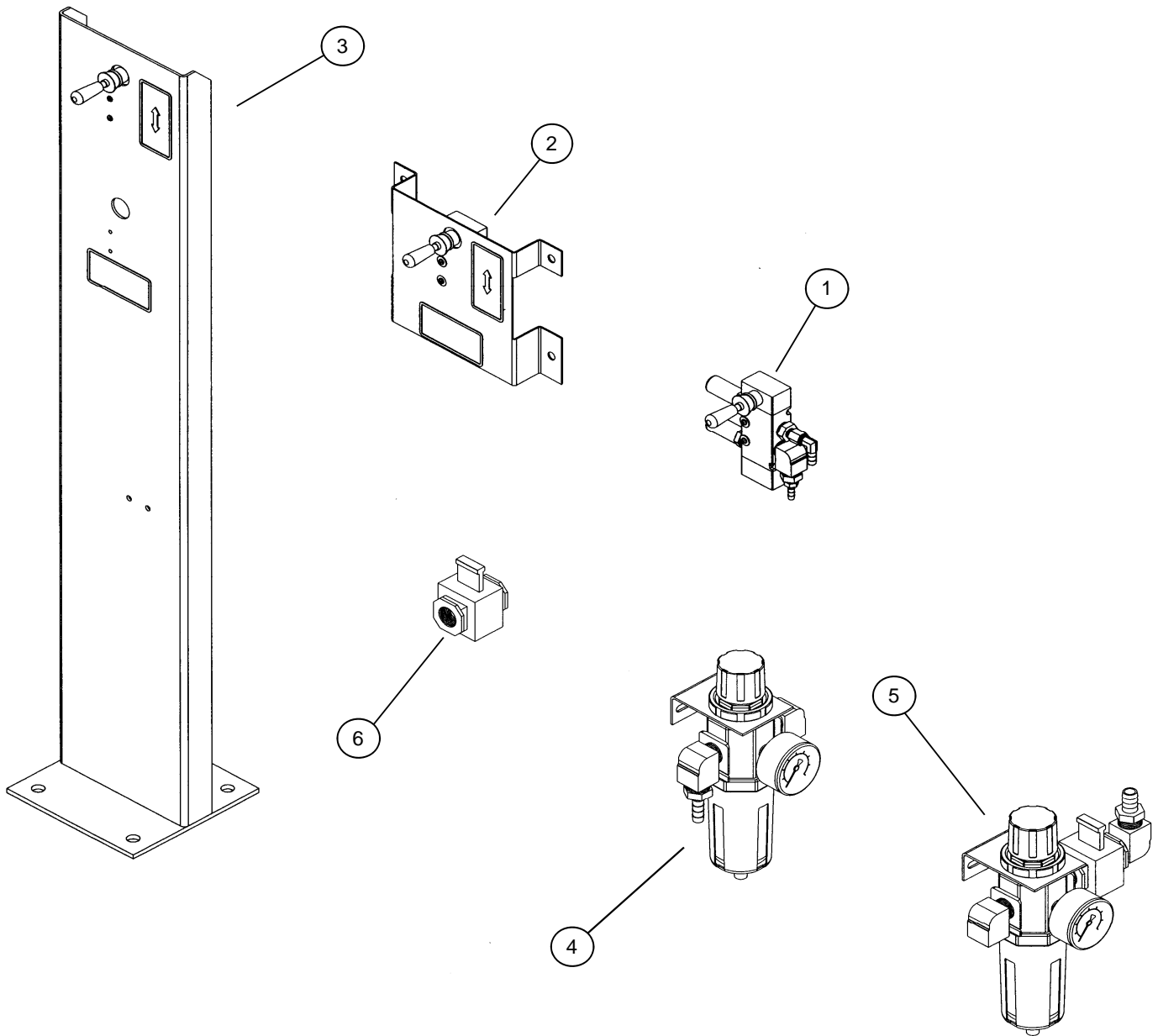
## STEP 8

Use overhead rigging when any maintenance beyond external lubrication is required.

# Troubleshooting

Problem	Possible Solution
Lift will not go up	<ol style="list-style-type: none"> <li>1 Check that air inlet is connected to the controller.</li> <li>2 Check to ensure lockout is not engaged (if purchased as option).</li> <li>3 Check air hoses to ensure no kinks or cuts in the line.</li> <li>4 Check to ensure no debris is preventing wheels from rolling in track.</li> <li>5 Check regulator gauge is set to minimum of 80 psi (if purchased as option).</li> </ol>
Lift is making a hissing noise	<ol style="list-style-type: none"> <li>1 Check all air lines to ensure they are properly connected and no leaks are occurring.</li> <li>2 Check pressure relief valve. <i>If pressure relief valve is "leaking" lower lift immediately. The air bag is in a state of over pressurization.</i></li> <li>3 Check air bag for cuts or holes.</li> </ol>
Lift is making a squeaking noise	<ol style="list-style-type: none"> <li>1 Lubricate center joints and wheel tracks.</li> </ol>

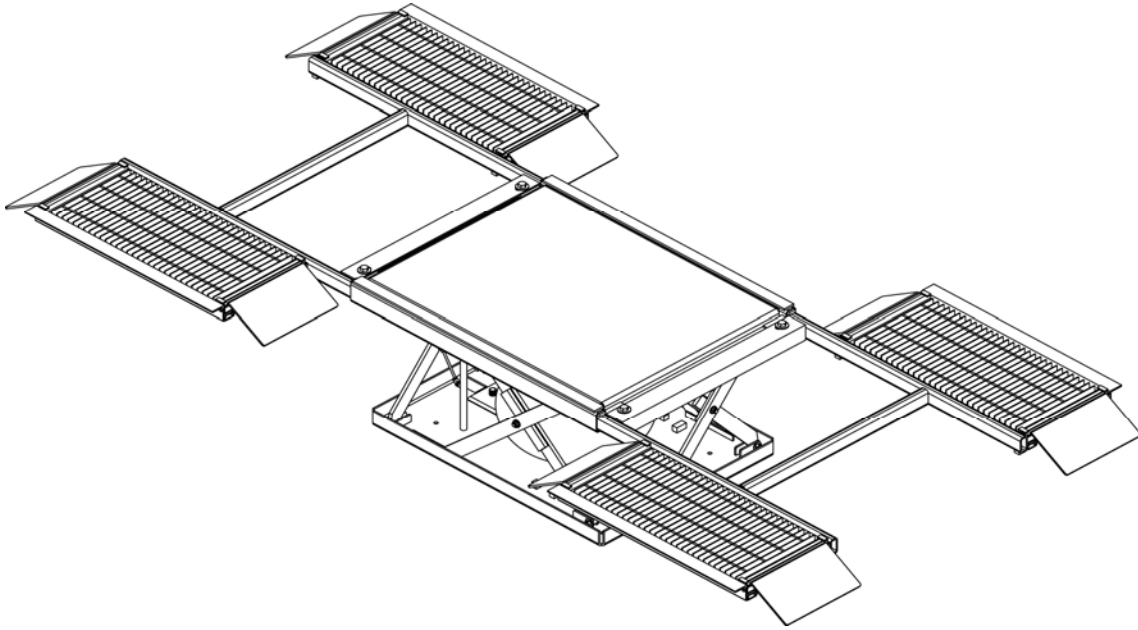
# Optional K900S Accessories



ID	Part #	Description	Qty	Units
1	12848	Control Valve Assembly - Hand - Lift Only - 2 x Muffler	1	EA
2	12849	Control Assembly - Hand - Lift Only - Wall Mount	1	EA
3	12850	Control Assembly - Hand - Lift Only - Pedestal Mount	1	EA
4	12851	Filter / Regulator Assembly	1	EA
5	12852	Filter / Regulator / Lock Out Assembly	1	EA
6	1002450	Lock Out Valve	1	EA
-	12368	Set of (4) Rubber Blocks - 3-7/8 x 5 x 1-1/2	1	EA
-	12369	Set of (4) Rubber Blocks - 3-7/8 x 8 x 1-1/2	1	EA

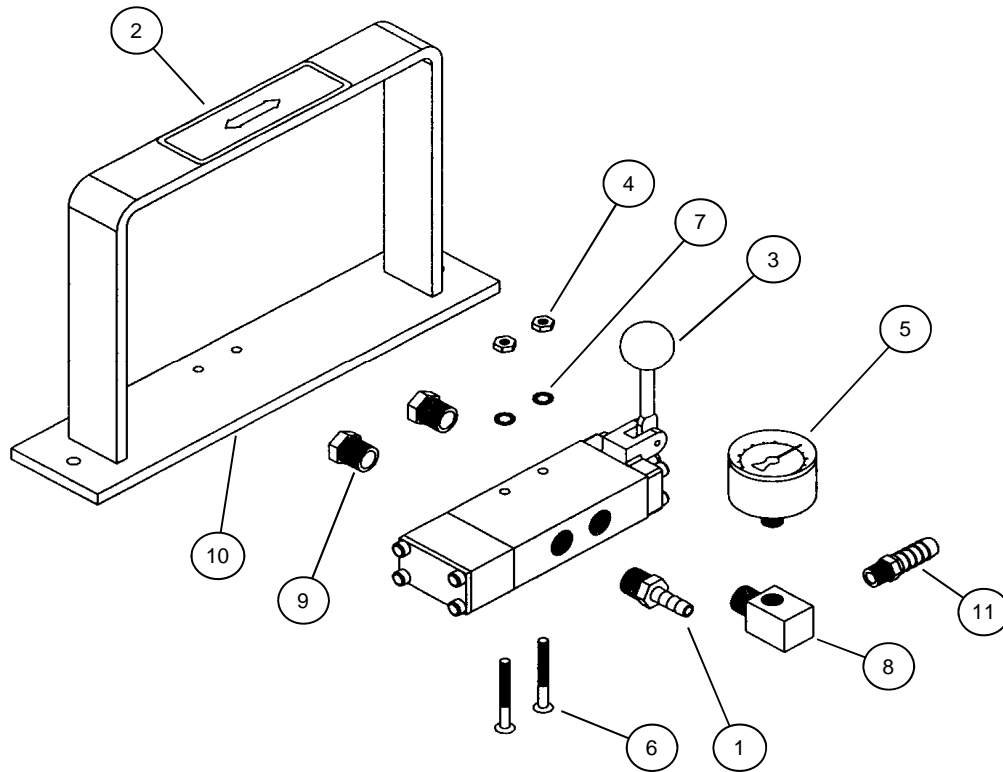


# Parts Layout



Part #	Description	Quantity	Units
10037	ACCELERATOR VALVE ASSEMBLY	1	EA.
10062	SHORT SCISSOR - INNER ASSY	2	EA.
10063	SHORT SCISSOR - OUTER ASSY	2	EA.
10064	LONG SCISSOR - OUTER ASSY	2	EA.
10065	LONG SCISSOR - INNER ASSY	2	EA.
10253	SAFETY CYLINDER ASSY FOR LIFT	1	EA.
10377	BOLT ASSEMBLY - CUT AT 3.125	2	EA.
1000076	DECAL MAXIMUM CAPCITY 6000 LBS	1	EA.
1000082	DECAL HERKULES LIFT 5.25 X 14.5	1	EA.
1000498	WASHER 9/16 SAE F/W ZINC	8	EA.
1000505	CAP 1.0 ID PE BLACK	2	EA.
1001844	HOSE 1/4 ID 250 PSI RUBBER	228	IN.
1001869	HOSE 3/8 ID RUBBER 300 PSI	225	IN.
008-113A	NUT LOCK 5/8-11 Z	4	EA.
009-124	WASHER FLAT 5/8 SAE Z	6	EA.
009-126	BOLT HEX 9/16-12 X 2 GD 5 Z	8	EA.
009-131A	NUT LOCK 9/16-12 Z	4	EA.
009-131B	NUT JAM 9/16-12 Z	4	EA.
009-137B	BOLT FHSC 5/8-11 X 5 CUT 3.25 BLACK	2	EA.
009-153	INSTRUCTION LABEL FOR LIFT	1	EA.
300-001	AIR BAG - K-900	1	EA.
693-103	WHEEL 40 MM PLASTIC	8	EA.
720-103	TUBE 5/32 COILED NYLON	182	IN.
720-120	CLAMP HOSE WIDE BAND # 6 SS/Z	1	EA.
720-122	CLAMP HOSE # 4 SS/Z	1	EA.
810-109-14	CABLE TIE 14 INCH BLACK	15	EA.
LIFTASSYKIT	LIFT CONTROLLER ASSY KIT	1	EA.
LIFTW-1	TOP PAN WELDMENT	1	EA.
LIFTW-2	BOTTOM PAN WELDMENT	1	EA.
LIFTW-8	LIFT PAD ARM	4	EA.
M00	MUFFLER 3/8 AIR EXHAUST	1	EA.
15244	KIT SUSPENSION K900 & K900P	1	EA.

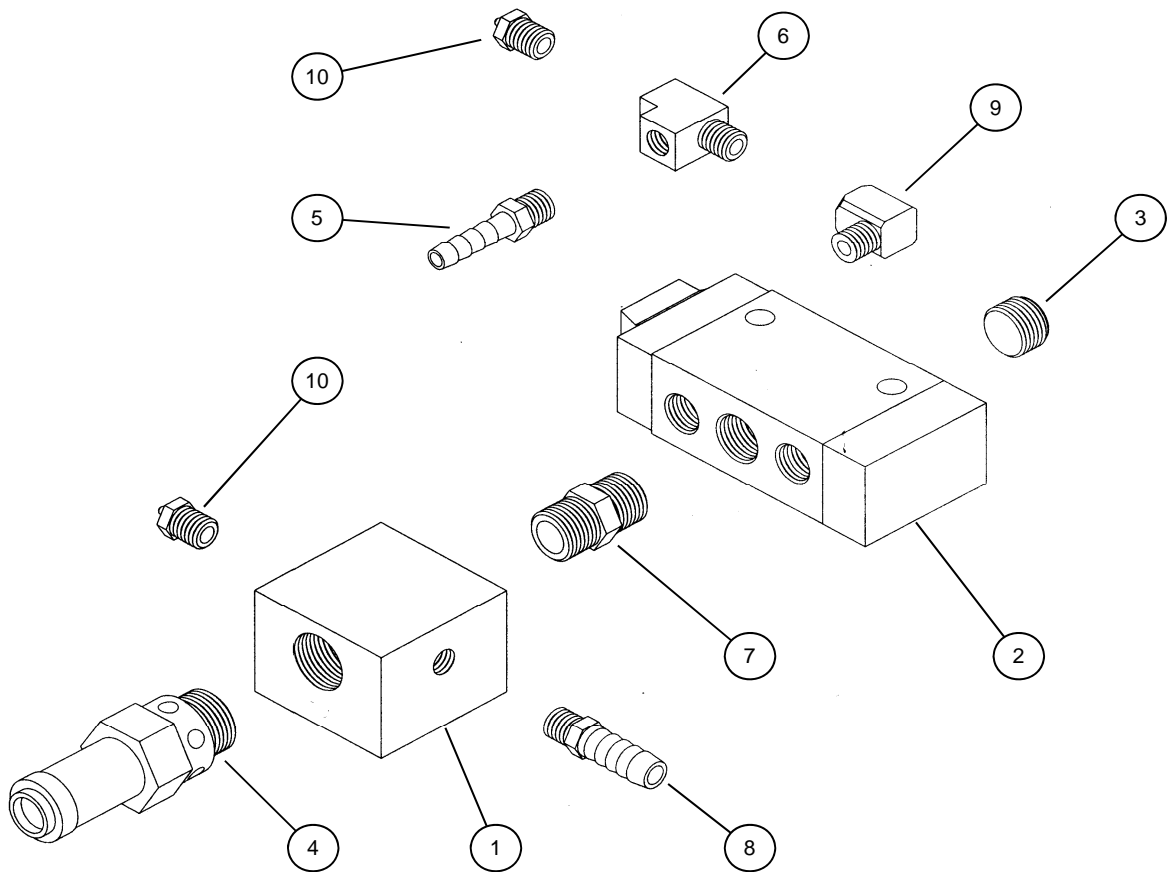
# Controller Layout



ID	Part #	Description	Qty	Units
1	990	HOSE BARB 1/4 X 1/4 NPT BRASS	1	EA.
2	1000078	STICKER UP HERKULES DOWN .625 X 7	1	EA.
3	1002664	VALVE 4-WAY HND CNTRL 1/4 NPT	1	EA.
4	002-160	NUT HEX 10-32 Z	2	EA.
5	008-370	AIR GAGE 0-160 PSI 1/8 NPT BP	1	EA.
6	009-148	SCREW FHSC 10-32 X 1-3/4 BLACK	2	EA.
7	24E	WASHER LOCK INT TOOTH #10 Z	2	EA.
8	730-106	JUNCTION BLOCK ASSY	1	EA.
9	810-118	MUFFLER FOR HAND CONTROL ASSY	2	EA.
10	LIFTW-7	HAND CONTROL WLDMT	1	EA.
11	M27	HOSE BARB 3/8 X 1/8 NPT BRASS	1	EA.

NOTE: Entire controller assembly is part number 12568.

# Internal Valve Layout



ID	Part #	Description	Qty	Units
1	10033	MANIFOLD BLOCK ASSY FOR 10037 ALUM	1	EA.
2	009-141	VALVE 4-WAY PILOT 3/8 NPT BLACK	1	EA.
3	61A	PLUG SOCKET 3/8 NPT BRASS	1	EA.
4	700-112	VALVE PRES RELIEF 1/2 NPT 3.5 BAR	1	EA.
5	730-117	HOSE BARB 1/4 X 1/8 NPT BRASS	1	EA.
6	C12D	TEE STREET 1/8 NPT BRASS	1	EA.
7	M25C	NIPPLE HEX 3/8 NPT BRASS	1	EA.
8	M27	HOSE BARB 3/8 X 1/8 NPT BRASS	1	EA.
9	M6	ELBOW STREET 1/8 NPT BRASS	1	EA.
10	T24	HOSE BARB .078 X 1/8 NPT BRASS	2	EA.

*NOTE: Entire internal valve assembly is part number 10037.*