

herkules

Equipment Corporation

Manufacturing Systems and Equipment for the Automotive and Industrial Markets



OWNERS MANUAL

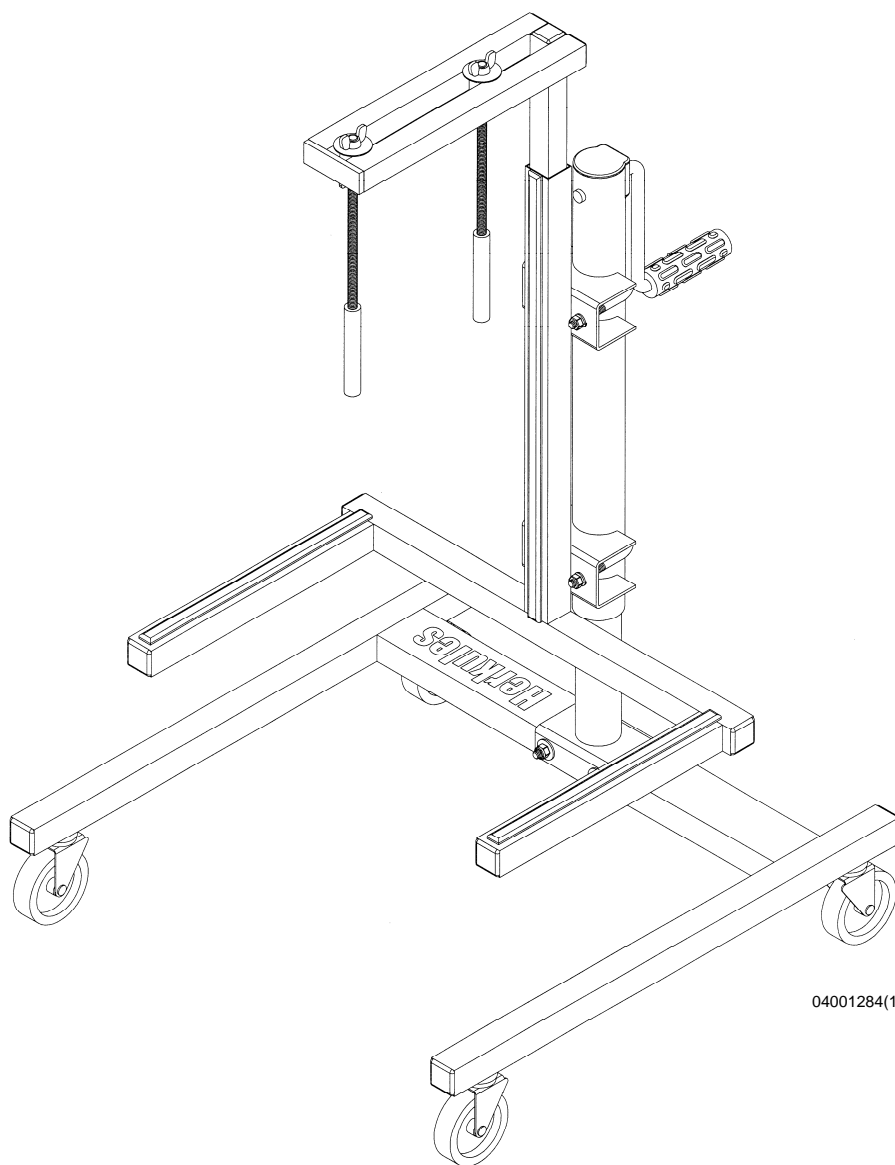


INSTRUCTIONS

This manual contains important information concerning the installation and operation of the equipment listed at the right. **Read manual thoroughly and keep for future reference.**

Model

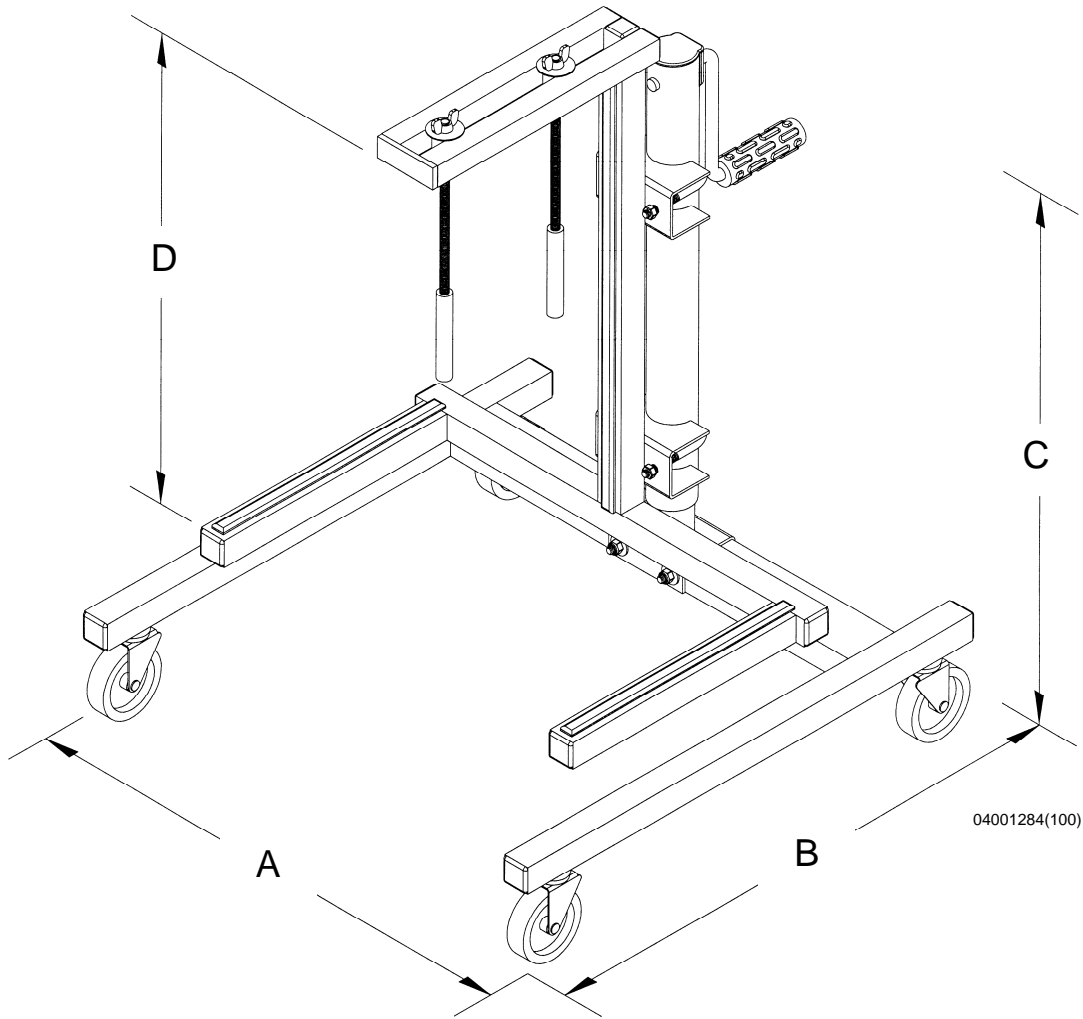
DJ-5020



04001284(103)

Model Information

Model	Maximum Capacity	Weight	Dimensions			
			A	B	C	D
DJ-5020	300 lbs	36.5 lbs	23.75"	24.25"	31.00"	*21.00"



* 21.00" dimension is minimum height, maximum height is 41.00".
 Note: The maximum travel of the jack is 16.00".

Installation

1. Remove the 5/16" nuts, bolts and washers from the lower frame assembly (see fig.1).
2. Place the jack assembly on the lower frame assembly and align the mounting holes (see fig.1).
3. Attach the jack assembly to the lower frame assembly with the nuts bolts and washers removed in step 1 (see fig.1).
4. Insert the adjustable clamp assembly into the jack assembly (see fig. 1).

Operation

1. Raise the adjustable clamp and place the DJ-5020 underneath the part to be removed.
2. Lower the adjustable clamp over the part and adjust the horizontal clamping rods (by loosening the wing nuts) so that the part is secured between the rods (see fig. 2).
3. Adjust the jack so that the part is resting on the forks of the DJ-5020 (see fig. 2).
4. Once the part is secured on the DJ-5020, the part can be removed from the automobile and stored on the DJ-5020 for easy reassembly.

Figure 1

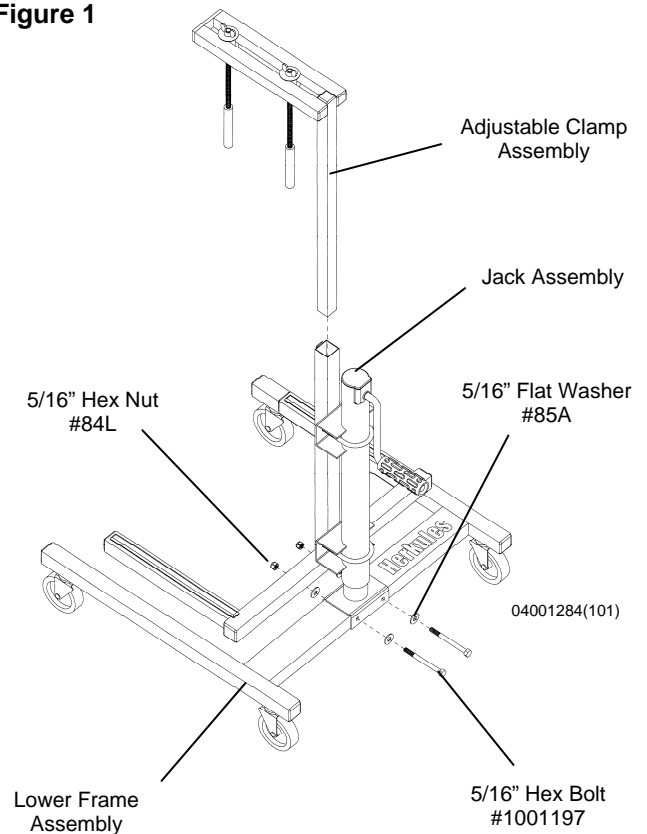
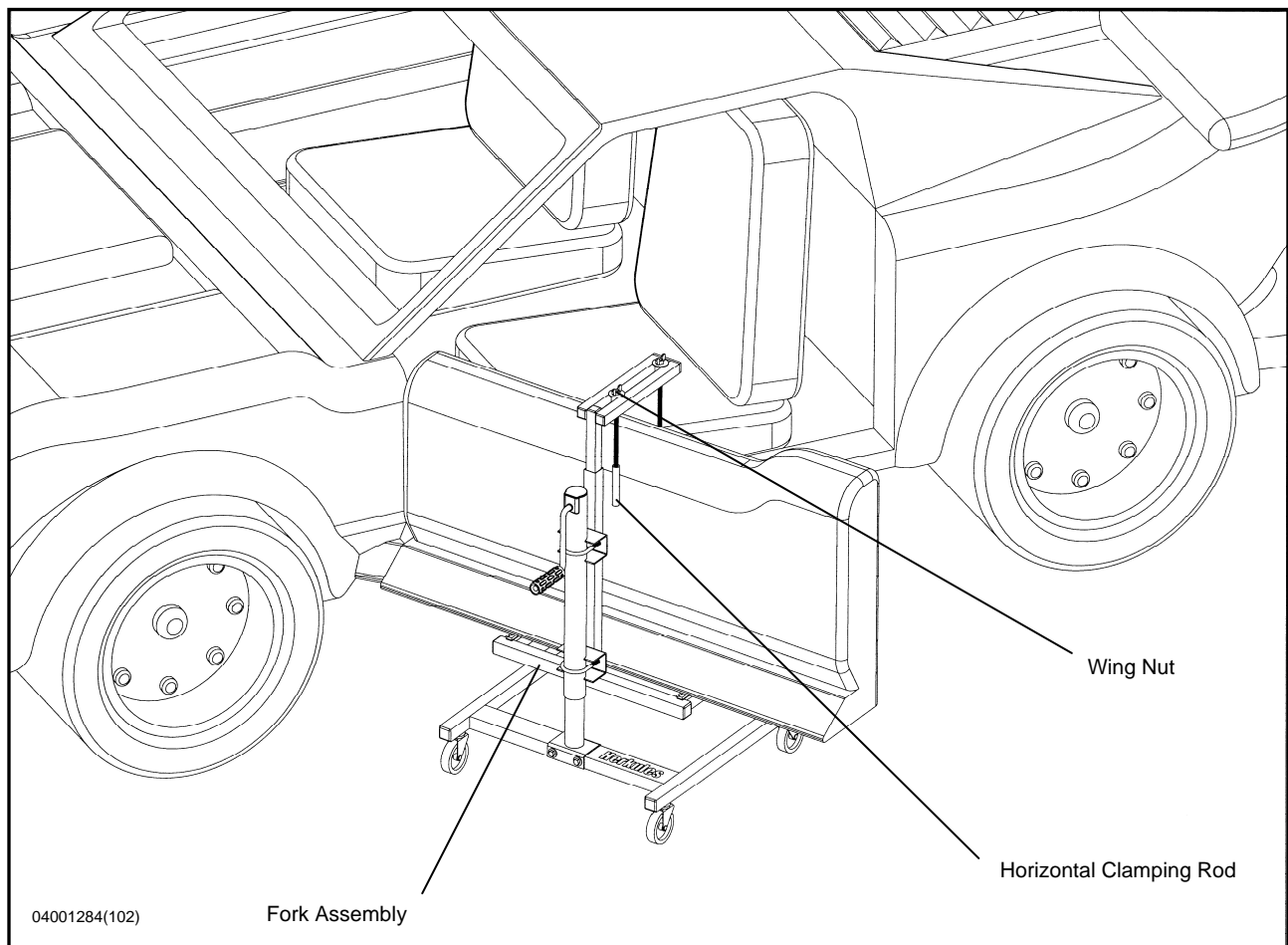


Figure 2



Parts layout for DJ-5020

