

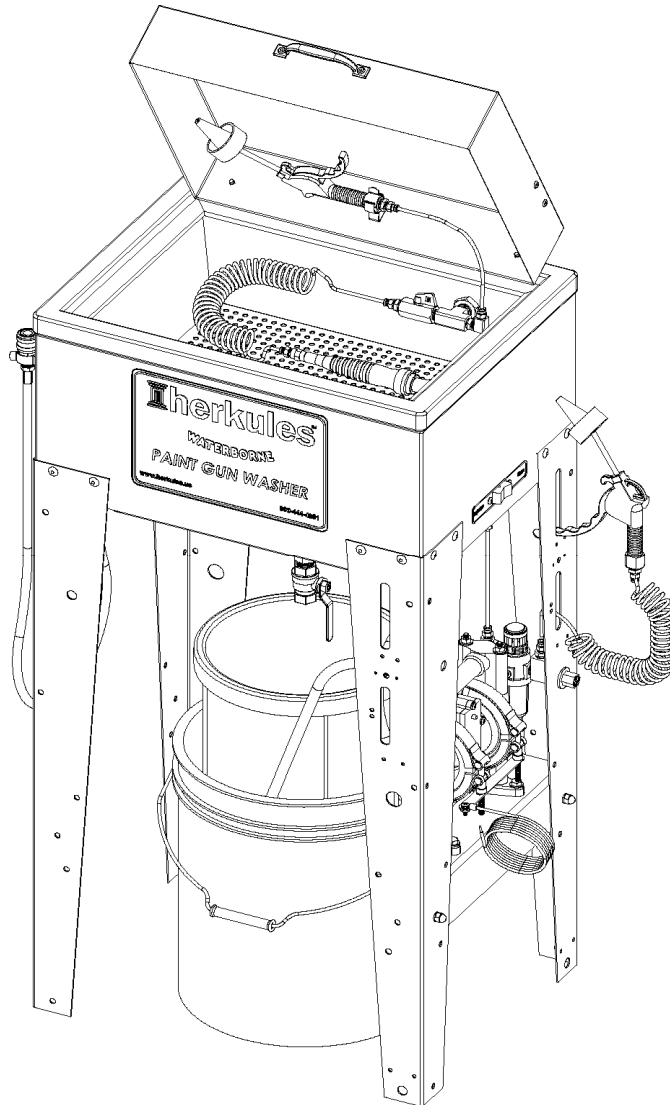
## G511

### OWNER'S MANUAL



This manual contains important information concerning the installation and operation of the gun washers listed above. Read manual thoroughly and keep for future reference

#### INSTRUCTIONS



Herkules Equipment Corporation  
248-960-7100

2760 Ridgeway Court  
800-444-4351

Walled Lake, MI 48390-1662 USA  
Fax 248 960-7109

Patents USA 7070167 4793369, 4960142, 5174317, 5193561, 5485860 Canada 1299468 & Patents Pending  
website: [www.herkules.us](http://www.herkules.us)

Made in the USA

e-mail: [info@herkules.us](mailto:info@herkules.us)

# Table of Contents

Warnings ..... 3-4

Model Information ..... 5

Installation ..... 5

Operation ..... 6-7

Preventive Maintenance ..... 8

Troubleshooting ..... 8

Drawings with part lists: ..... 9-12

### Warning Symbol



This symbol alerts you to the possibility of serious injury or death if you do not follow the instructions.

### Caution Symbol




This symbol alerts you to the possibility of damage to or destruction of equipment if you do not follow the instructions.

Serial Number \_\_\_\_\_

Model Number \_\_\_\_\_

Purchase Date \_\_\_\_\_

Distributor \_\_\_\_\_



This product has patent protection under one or more of the following patent numbers:

7070167, 5485860, 5193561, 5174317  
4960142, 4793369, 1299468  
and Patents Pending

website: [www.herkules.us](http://www.herkules.us) 1002742



# WARNING



## EQUIPMENT MISUSE HAZARD

Equipment misuse can cause the equipment to rupture, malfunction, or start unexpectedly and result in serious injury.

- This equipment is for professional use only.
- Read all instruction manuals, tags, and labels before operating the equipment.
- Use the equipment only for its intended use.
- Do not alter or modify this equipment.
- Do not exceed the maximum working pressure of the lowest rated system component.
- Do not operate the gun washer at a pressure above the maximum working pressure rating of the gun(s) being cleaned.
- Route the hoses away from traffic areas, sharp edges, moving parts, and hot surfaces.
- Do not use the hoses to pull the equipment.
- Do not move pressurized equipment.
- Comply with all applicable local, state and national fire, electrical and other safety regulation.



## PRESSURIZED EQUIPMENT HAZARD

Spray from hose leaks or ruptured components can splash fluid in the eyes or on the skin and cause serious injury.

- Do not stop or deflect fluid leaks with your hand, body, glove, or rag.
- Tighten all fluid connections before operating the equipment.
- Replace worn, damaged, or loose parts immediately.



# WARNING



## FIRE AND EXPLOSION HAZARD



Improper grounding, poor air ventilation, open flames, or sparks can cause a hazardous condition and result in fire or explosion and serious injury.

- Ground the equipment. See Installation for grounding procedure.
- Provide fresh air ventilation to avoid the build up of fumes.
- Extinguish all open flames or pilot lights in the gun washer area.
- Disconnect all electrical equipment in the gun washer area.
- Keep the gun washer area free of debris, including cleaning solutions, rags, and gasoline.
- Do not turn on any light switch in the gun washer area while operating or if fumes are present.
- Do not smoke in the gun washer area.
- Do not operate a gasoline engine in the gun washer area.
- If there is any static sparking while using the equipment, **stop operation immediately**. Identify and correct the problem.

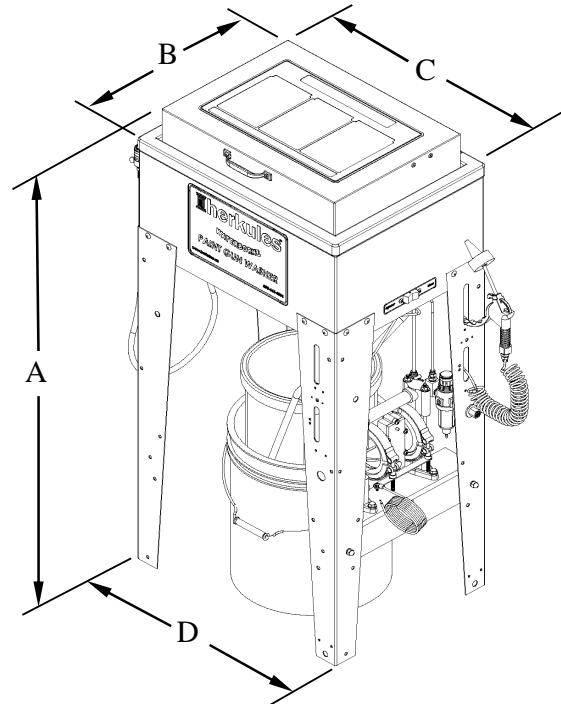


## TOXIC FLUID HAZARD

Hazardous fluids or toxic fumes can cause serious injury or death if splashed in eyes or on the skin, swallowed, or inhaled.

- Know the specific hazards of the fluid you are using. Read the fluid manufacturer's warnings.
- Store hazardous fluid in an approved container. Dispose of hazardous fluid according to all local, state and national guidelines.
- Wear the appropriate protective clothing, gloves, eyewear and respirator.
- Pipe and dispose of the exhaust air safely. If diaphragm fails, the fluid may be exhausted along with the air.

# Model Information



**NOTE:** Dimensions listed are overall measurements.

Model	Description	Weight lbs/(kg)	Dimensions in./(mm)			
			A	B	C	D
G511	Manual cleaning waterborne Gun Washer includes pressure cleaning gun, blow-off gun, flow thru brush and coagulation accelerator.	55.5 (25)	42.25 (1073)	15.5 (394)	20.5 (521)	20 (508)

## Installation

### Installing the Gun Washer

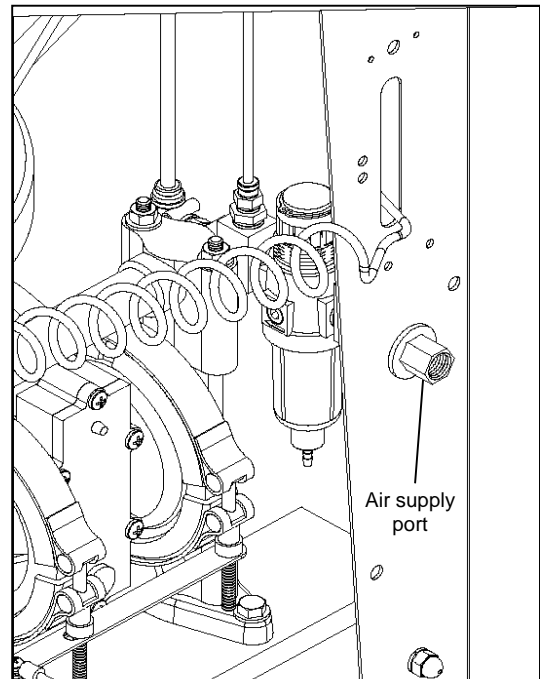
- 1) Place gun washer on a level surface in a properly ventilated paint mixing room or paint booth.

### Grounding the Gun Washer

- 1) Connect the ground wire on the gun washer's pump to a true earth ground.
- 2) Ground all equipment used or located in the gun washer area.

### Connecting the air line

- 1) Install a 1/4 in. npt male coupler, that is compatible with the quick disconnect of your air supply line, into the air supply port of the filter/regulator located on the back right leg.
- 2) Connect air line with at least 75 psi to the coupler. Filter/regulator is preset. Do not adjust.



# Operation

## Adding Cleaning Solution to the Gun Washer

- 1) Insert the filter mount frame into the bucket.
- 2) Fill the bucket with water until the water or cleaning solution until the level reaches the bottom of the filter support cross arms. See Fig. 1
- 3) Connect the large filter bag to the filter mount frame so that the bottom of the filter is resting on the filter support.
- 4) Insert the small filter bag into the large bag and connect to the filter mount frame.
- 5) Place the bucket under the Gun Washer and insert the pick up tube between the bucket wall and the filter.
- 6) Close ball valve.

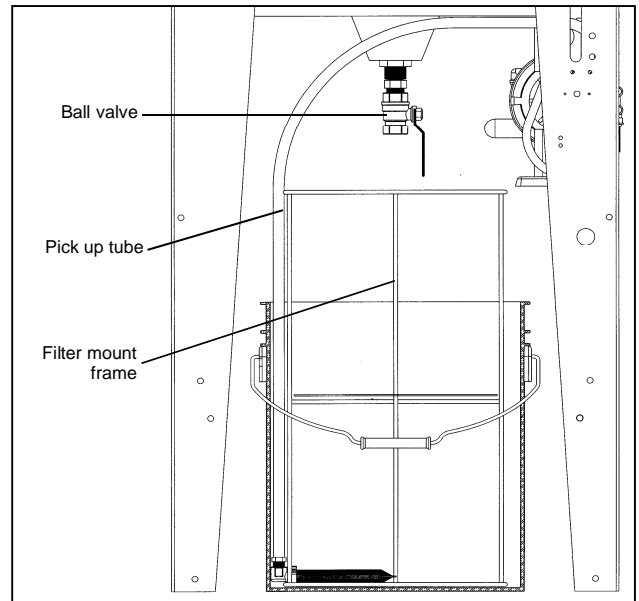


Fig. 1

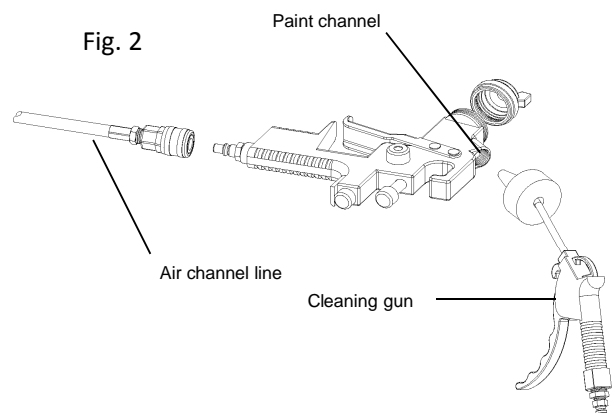
## Preparing the equipment to be washed

- 1) Remove paint cup or paint line and the air line from the paint gun.
- 2) Drain excess paint from cup and gun into a separate container.
- 3) Remove all gauges and regulators from painting equipment.
- 4) Remove the air cap/fluid tip from the paint gun.
- 5) Connect the air channel line to the spray gun using the supplied quick disconnects or replace the supplied quick disconnects with ones compatible with the shop's equipment. See Fig. 2

<b>⚠ CAUTION</b>
All pressure gauges must be removed before cleaning the equipment in the gun washer to avoid damaging the gauges.

## Cleaning equipment

- 1) Set the toggle switch on the right side of the unit to Clean. This will activate the pump and supply water pressure to both the manual cleaning brush and the pressure clean gun. Both are located inside the tub area.
- 2) Place the nozzle of the cleaning gun into the paint channel of the spray gun.
- 3) Squeeze the trigger of the paint gun while squeezing the trigger of the cleaning gun to send a pressurized flow of water through the paint channel.



- 4) To activate the manual cleaning brush, turn the lever of the mini ball valve to send water through the brush.

*Note: Position the spray gun so that the flow of cleaning solution exiting the paint gun is contained within the Gun Washer tub.*

# Operation

## Filtering Dirty Solution/Paint Mixture (optional)

- 1) Remove the cleaning platform from inside of the tank.
- 2) Add flocculant / coagulant to the dirty paint mixture. (Herkules CoAgent P/N CA01 recommended.)

*Note: Contact local distributor to purchase flocculant/coagulant. Amount of flocculant/coagulant required will vary depending on the brand of flocculant being used.*

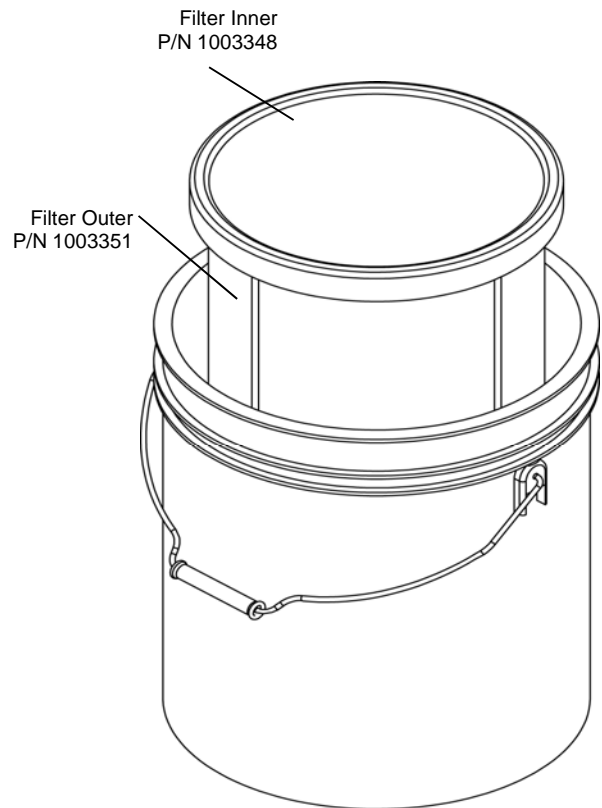
- 3) If using Herkules CoAgent P/N CA01, add 1 tablespoon per 5 gallons of dirty paint mixture.
- 4) Set the switch on the side of the Gunwasher to Agitator. Stir mixture for 30 seconds during agitation. Allow the dirty paint mixture / flocculant mix to agitate for 30 to 120 seconds (dependent upon quality of flocculant). Let the mixture sit for 30 seconds. Return the toggle switch to the center (Off) position.

*Note: Repeat process if adequate separation does not occur (dependent upon quality of flocculant).*

- 5) Open the ball valve to allow the mixture to drain through the filter bags. The filter bags capture the paint debris, and the bucket captures the filtered cleaning solution / water mixture that can be reused for cleaning.


*Note: Reuse the cleaning solution / water mixture until it becomes tacky to the touch. Dispose of all waste materials according to local, state, and federal regulations.*

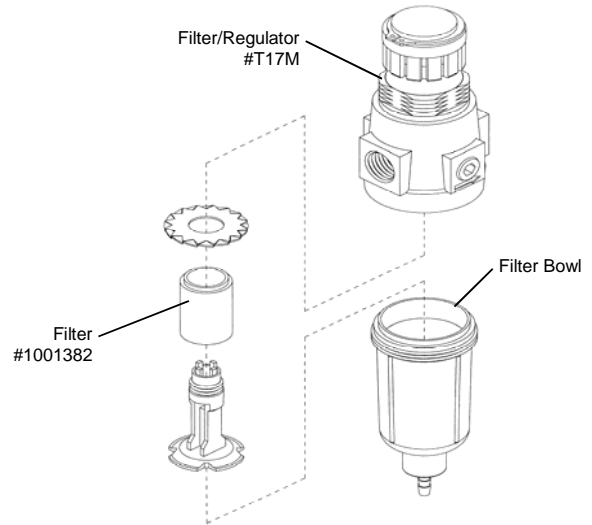
- 6) Empty the paint waste out of the inner filter. Place inner filter back on the filter holder for up to 10 uses.  
*Note: place solid waste onto a piece of cardboard to finish drying. This will speed the process as the cardboard will absorb the moisture from the paint debris.*
- 7) Close the ball valve. Replace filter bags (P/N 1003348 & P/N 1003351) as needed.
- 8) Dispose of all waste materials according to all local, state, and federal regulations.
- 9) Wipe inner tank after each use.



# Preventive Maintenance

- 1) Drain excess paint from cup or pot before cleaning in gun washer.
- 2) Remove the filter bowl and check the filter inside the regulator for excess buildup approx. every 6 months.
- 3) Change water completely when objects being cleaned become tacky to the touch.
- 4) Clean inside of tub.

 <b>CAUTION</b>
<p>Do not change the setting of the filter/regulator. This could damage the filter/regulator or pump.</p>

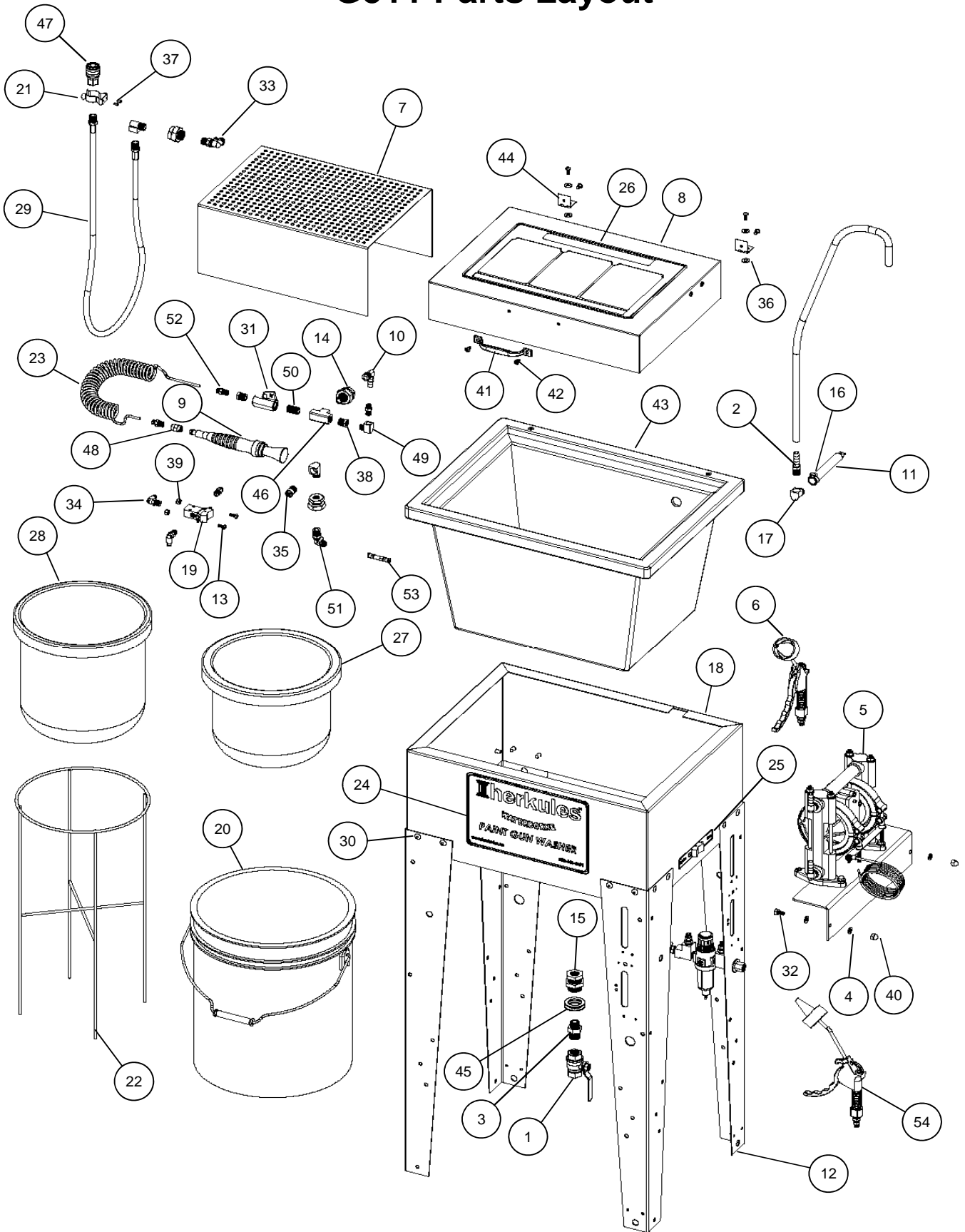


# Troubleshooting

Problem	Possible Solution
Pump turns on but wash water does not flow.	<ol style="list-style-type: none"> <li>1 Make sure wash bucket is not empty.</li> <li>2 Make sure the filter at the end of the pick up tube is completely submerged in water.</li> <li>3 Check all fluid connections to ensure that there are no leaks.</li> <li>4 Make sure the indicator on the side is set to Clean.</li> </ol>
Pump does not turn on.	<ol style="list-style-type: none"> <li>1 Make sure intake filter is not clogged (Clean or replace).</li> <li>2 Make sure the air line is properly connected with at least 75 psi. Air pressure is regulated at 75 psi.</li> <li>3 Check all air connections to ensure that there are no leaks.</li> </ol>
No flow through the manual brush.	<ol style="list-style-type: none"> <li>1 Make sure wash bucket is not empty.</li> <li>2 Make sure the filter at the end of the pick up tube is completely submerged in water.</li> <li>3 Check all fluid connections to ensure that there are no leaks.</li> <li>4 Make sure the indicator on the side is set to Clean.</li> <li>5 Make sure mini ball valve is open.</li> </ol>



# G511 Parts Layout



# G511 Parts Layout

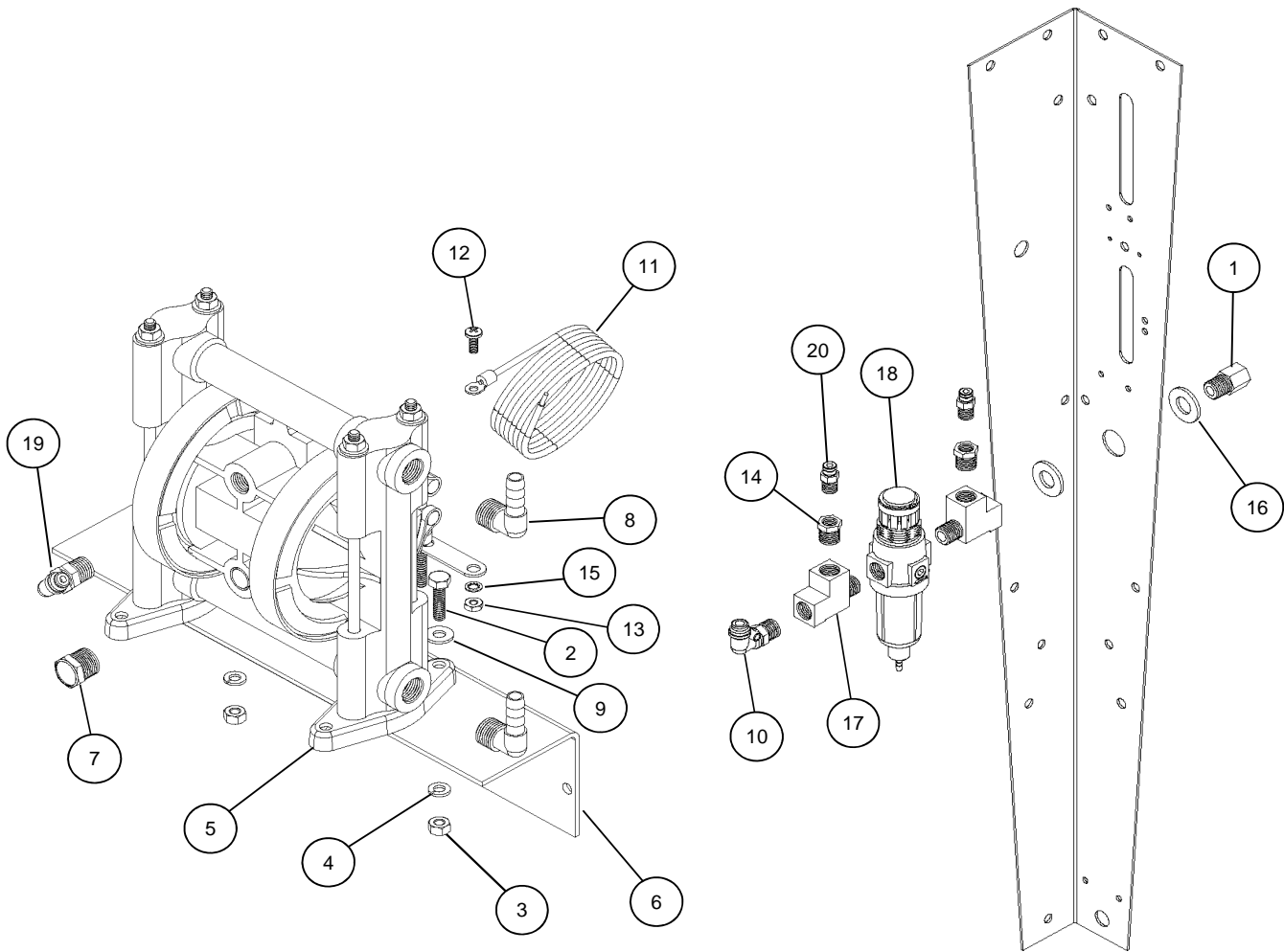
	Part #	Description	Quantity	
1	6	Ball Valve	1	EA
2	57	Hose Barb 3/8 x 1/4 NPT Brass	1	EA
3	62	Reducer 1/2 NPT X 3/8 NPT	1	EA
4	85	Lock Washer 1/4	2	EA
5	13123	Pump Assembly	1	EA See pg. 12
6	13800	Air Gun Assembly	1	EA
7	13901	Cleaning Platform	1	EA
8	14650	Lid Assembly	1	EA
9	1000563	Brush	1	EA
10	1000967	Hose Barb 90° 3/8 x 1/4 NPT Brass	1	EA
11	1001992	Filter Screen 60/16 Mesh	1	EA
12	1002378	Leg	4	EA See pg. 12
13	1002546	Screw BHSC 10-24 x 1/2	4	EA
14	1002643	Bulkhead 3/4 - Brass	3	EA
15	1002644	Bulkhead 1 - Brass	1	EA
16	1002653	Clamp Hose Crimp	1	EA
17	1002779	Elbow 1/4 NPT	3	EA
18	1002795	Stand Frame	1	EA
19	1002912	Toggle valve	1	EA
20	1002914	Bucket	1	EA
21	1002953	Clip Spring	2	EA
22	1002967	Filter mount frame	1	EA
23	1002968	Tube Coiled 5/32	2	EA
24	1003048	Front Decal	1	EA
25	1004587	Side Toggle Sticker	1	EA
26	1003055	Lid Sticker	1	EA
27	1003348	Filter inner	1	EA
28	1003351	Filter outer	1	EA
29	1003507	Hose Assembly	1	EA
30	1003597	Rivet 1/4 x 1/2 Aluminum	16	EA
31	1004559	Ball Valve Mini 1/4 NPT x 1/4 NPT	1	EA
32	001-702	Bolt Hex 1/4-20 X 1/2 Zinc	2	EA
33	002-118	Hose Fitting 90° 1/4 NPT x 1/4 NPT	1	EA
34	002-129	Hose Fitting 90° 5/32 x 1/8 NPT	2	EA
35	002-134	Nozzle 1/4 NPT Brass	1	EA
36	002-161	Flat Washer #10	6	EA
37	002-192	Rivet 1/8 x 1/4 Aluminum	4	EA
38	005-134	Reducer Bushing 1/4 NPT x 1/8 NPT Brass	2	EA
39	005-137	Nut Nylock 10-24 Zinc	2	EA
40	008-244	Acorn Nut 1/4-20	2	EA
41	10A	Handle	1	EA
42	14C	Rivet 3/16 x 1/2 Aluminum	6	EA
43	1-MINI-BLUE	Tub	1	EA
44	39C	Hinge	2	EA
45	85B	Washer 1-1/2 x 1 Nylon	2	EA
46	C12BX	Tee 1/4 NPT Brass	1	EA
47	C8	Coupler QD 210 w/ O-Ring 1/4 NPT	1	EA
48	C16	Coupler 1/8 NPT Brass	1	EA
49	M6	Elbow Street 1/8 NPT Brass	1	EA

# G511 Parts Layout

	<b>Part #</b>	<b>Description</b>	<b>Quantity</b>	
<b>50</b>	T12	Nipple Close 1/4 NPT Brass	2	EA
<b>51</b>	T25	Fitting PTC 90° Swivel 5/32 x 1/4 NPT	1	EA
<b>52</b>	T4	Fitting PTC 5/32 x 1/8 NPT	3	EA
<b>53</b>	1000524	Check Valve	1	EA
<b>54</b>	14805	Fluid Gun Assembly	1	EA

**Note:** For parts shown but not identified refer to assembly layouts on pages 12

# G510 Pump and Legs Layout



# G510 Pump and Legs Layout

Part #	Description	Quantity
1	67 Adapter 1/4 NPT Brass	1 EA
2	83 Bolt Hex 1/4-20 x 1 - Zinc	2 EA
3	84 Hex Nut 1/4-20 Zinc	2 EA
4	85 Lock Washer 1/4 Zinc	2 EA
5	338 Pump	1 EA
6	11958 Pump Mounting Bracket	1 EA
7	1001441 Muffler 3/8 NPT Zinc	1 EA
8	1002650 Hose Barb 90° 3/8 X 3/8 NPT Brass	2 EA
9	001-705 Washer Flat 1/4 USS - Zinc	2 EA
10	002-118 Hose Fitting 90° 1/4 x 1/4 NPT	1 EA
11	002-120A-72 Ground Wire	1 EA
12	005-131 Screw 10-24 x 1/2 - Stainless	1 EA
13	005-132 Nut Hex 10-24 - Stainless	1 EA
14	005-134 Reducer 1/4 NPTx1/8 NPT Brass	2 EA
15	24E Toothed Lock Washer #10	1 EA
16	85I Washer Flat 1/2 USS Z	2 EA
17	C12CX Tee Street 1/4 NPT Brass	2 EA
18	T17M Filter / Regulator	1 EA
19	T25 Hose Fitting 90° 5/32 x 1/4 NPT	1 EA
20	T4 Hose Fitting 5/32 x 1/8 NPT	2 EA

**Note:** Parts are shown for reference purposes only and are not necessarily part of a Herkules assembly.