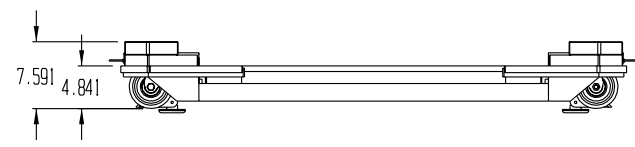
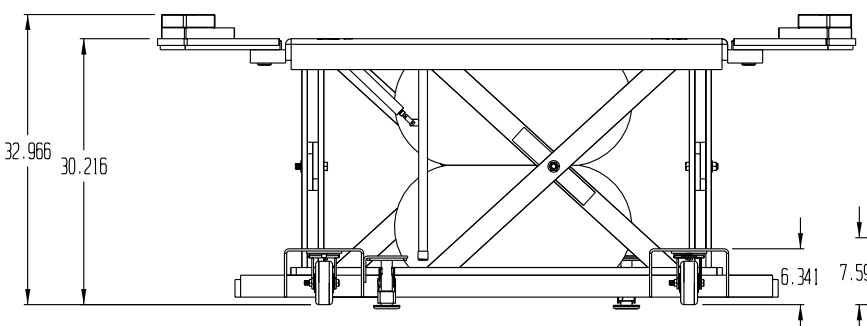
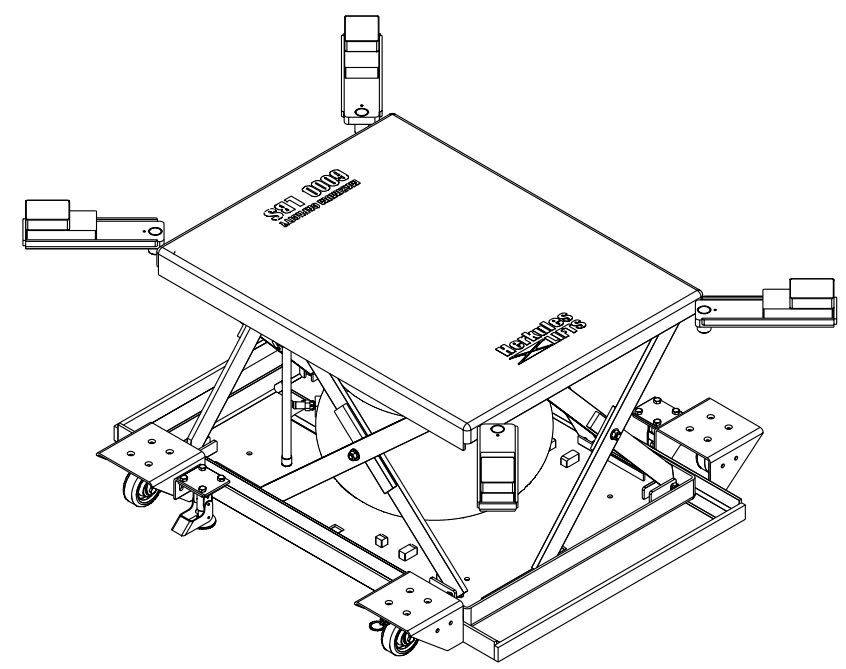
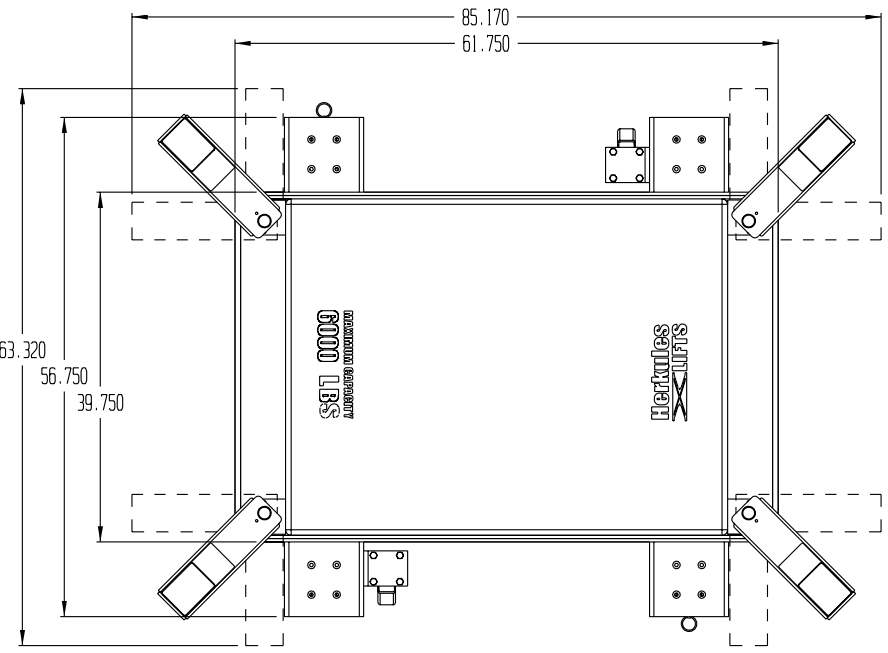


PART #: K900W

REVISIONS			
REV	DESCRIPTION	DATE	APPROVED



POS	PART#	MATERIAL#	DESCRIPTION	QTY	UNIT
<p>TOLERANCES UNLESS OTHERWISE NOTED</p> <p>.X ± .250</p> <p>.XX ± .125</p> <p>.XXX ± 0.030</p> <p>.XXXX ± 0.0050</p> <p>ANGLE ± 1°</p>					
			<p>2760 RIDGEWAY COURT • WALLED LAKE, MI. 48390-1662</p>		
<p>DRN: JP 6-29-06</p>			<p>TITLE: LIFT VEHICLE SWVL SWNG ARMS PRT FLK</p>		
<p>PART #: K900W</p>		<p>MATERIAL:</p>		<p>CHKD. BY: DWG NO.: 02063857 REV: REF:</p>	