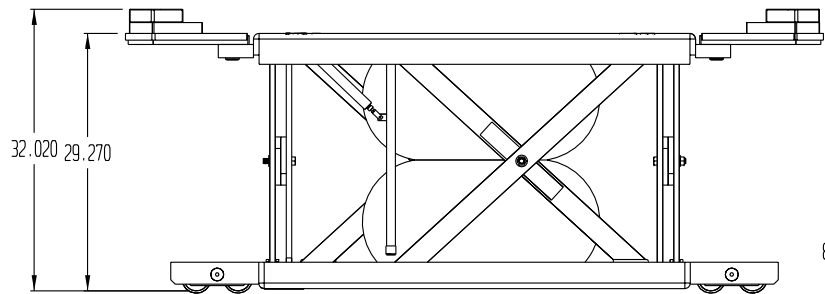
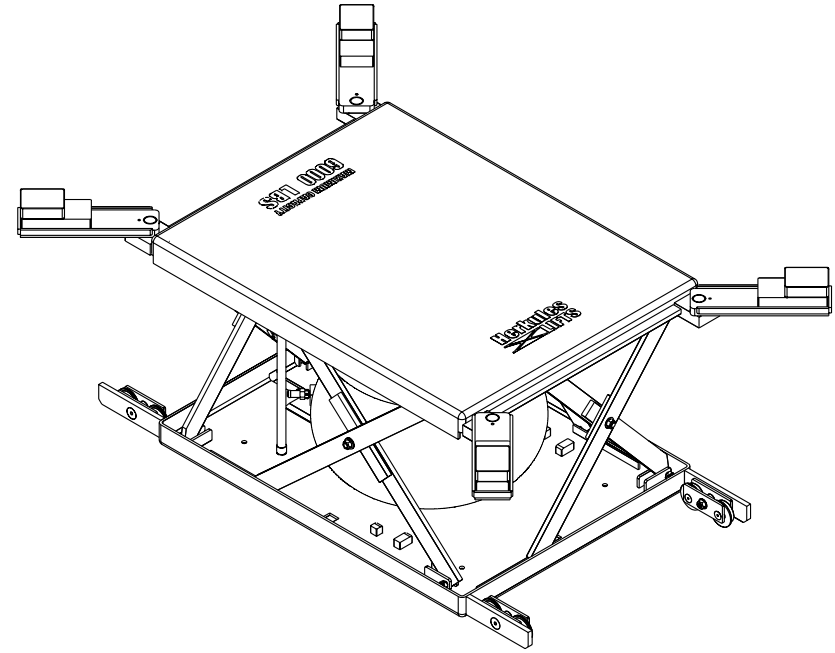
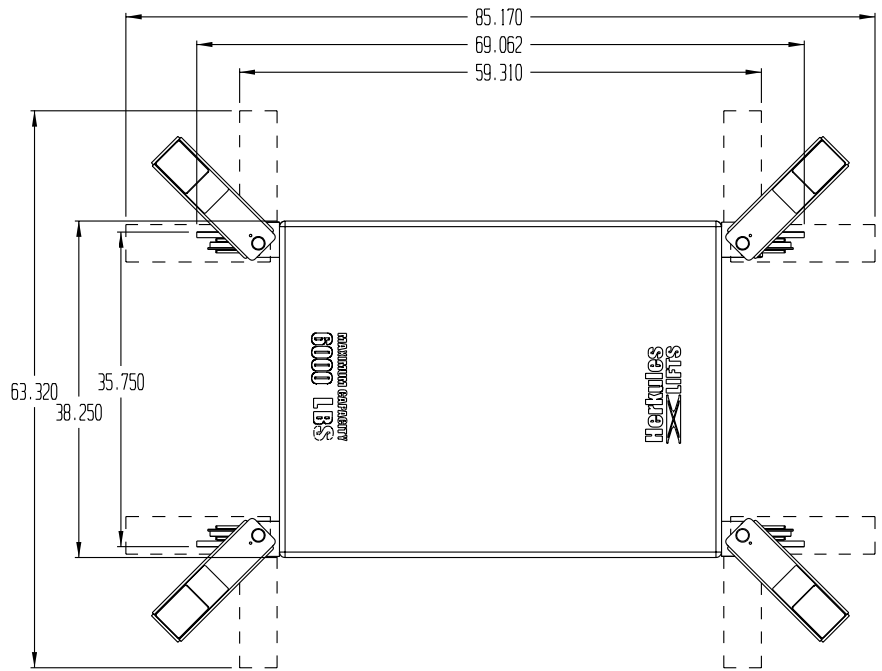
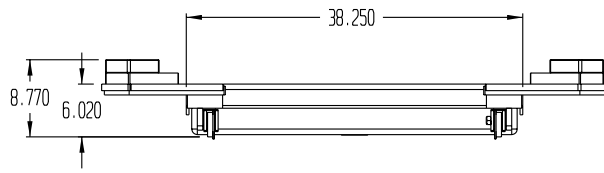


PART #: K900RF

REVISIONS			
REV	DESCRIPTION	DATE	APPROVED



THE SOLID FOR THE LOWERED LIFT IS INCORRECT. ONLY TOP PAN AND SWING ARMS HAVE BEEN RAISED, OTHER PARTS REMAIN IN THE INCORRECT POSITION.



POS	PART#	MATERIAL#	DESCRIPTION	QTY	UNIT
TOLERANCES UNLESS OTHERWISE NOTED .X ± .250 .XX ± .125 .XXX ± 0.030 .XXXX ± 0.0050 ANGLE ± 1°					
		2760 RIDGEWAY COURT • WALLED LAKE, MI. 48390-1662 TITLE: LIFT VEHICLE SWVL SWNG ARMS FTBRAIL			
DRN: JP 6-29-06		MATERIAL:			
PART #: K900RF		CHKD. BY:	DWG NO.: 02063856	REV:	REF: