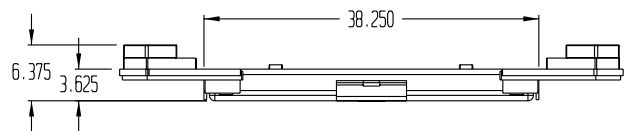
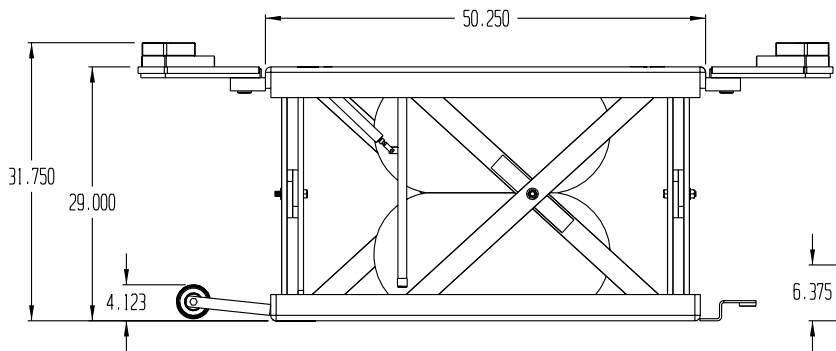
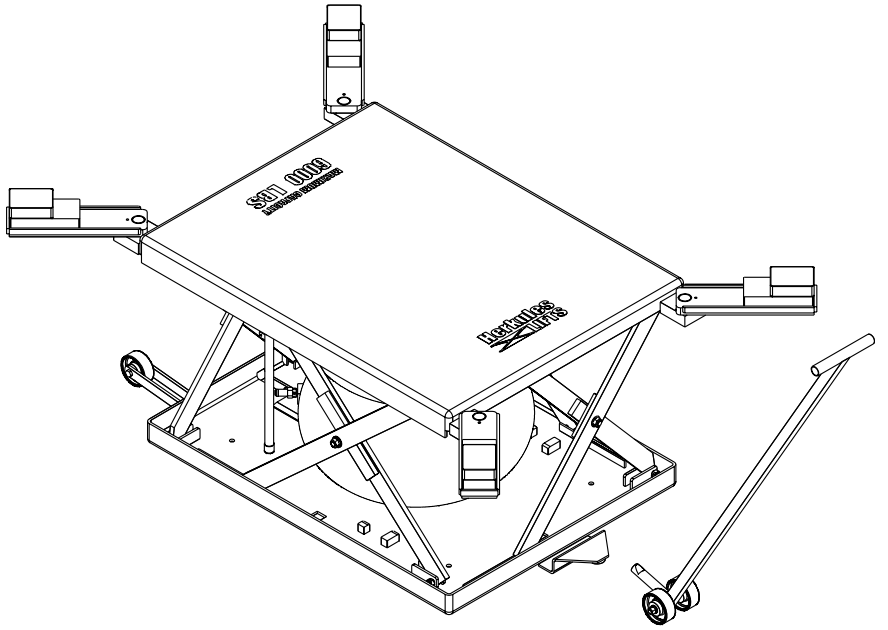
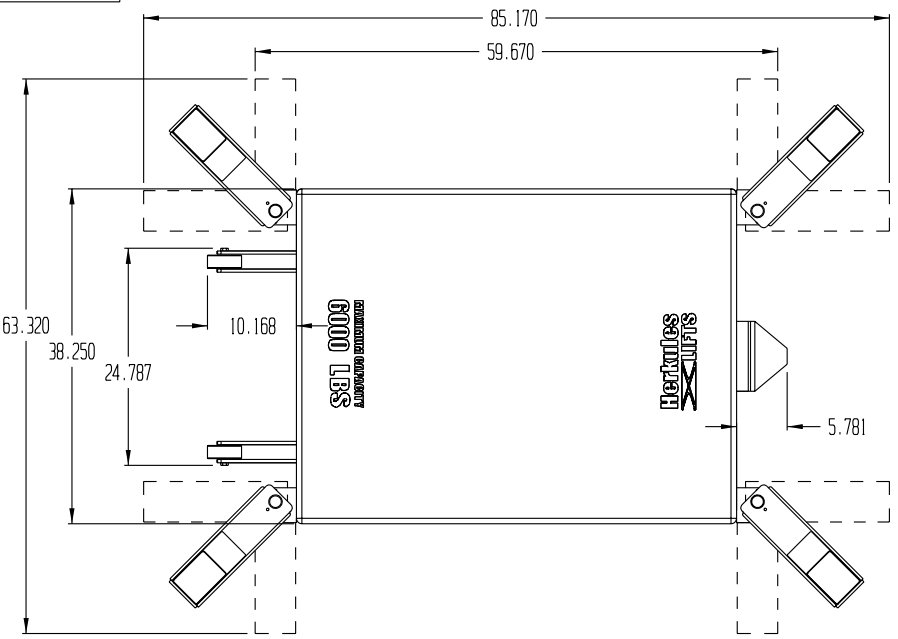



PART #: K900P

| REVISIONS | | | |
|-----------|-------------|------|----------|
| REV | DESCRIPTION | DATE | APPROVED |
| | | | |



| POS | PART# | MATERIAL# | DESCRIPTION | QTY | UNIT |
|--|-------|-----------|---|------|------|
| TOLERANCES UNLESS OTHERWISE NOTED .X ± .250 .XX ± .125 .XXX ± 0.030 .XXXX ± 0.0050 ANGLE ± 1° | | | | | |
|  | | | 2760 RIDGEWAY COURT • WALLED LAKE, MI. 48390-1662 | | |
| DRN: JP 6-29-06 | | | MATERIAL: | | |
| PART #: K900P | | CHKO. BY: | DNG NO.: 02063853 | REV: | REF: |
| TITLE: LIFT VEHICLE SWVL SWNG ARMS PRTABL | | | | | |