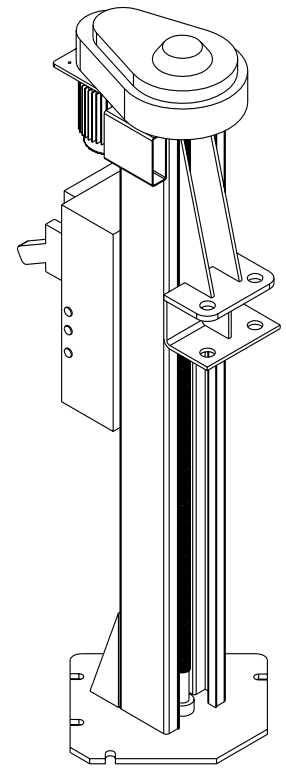
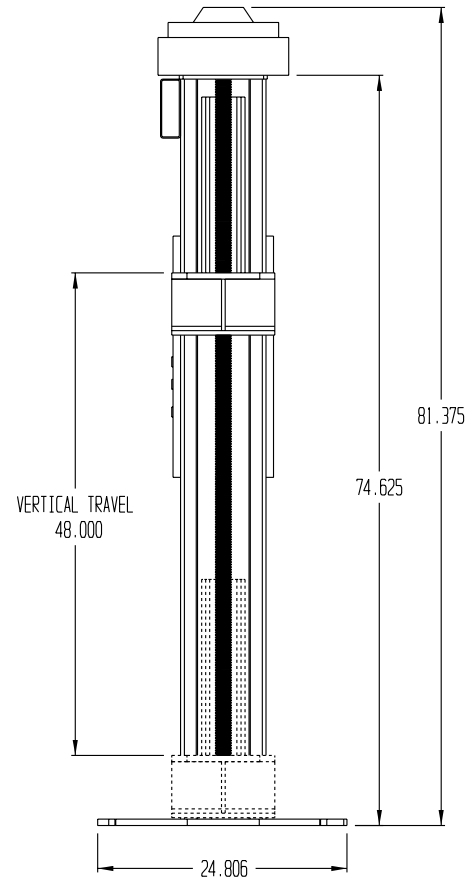
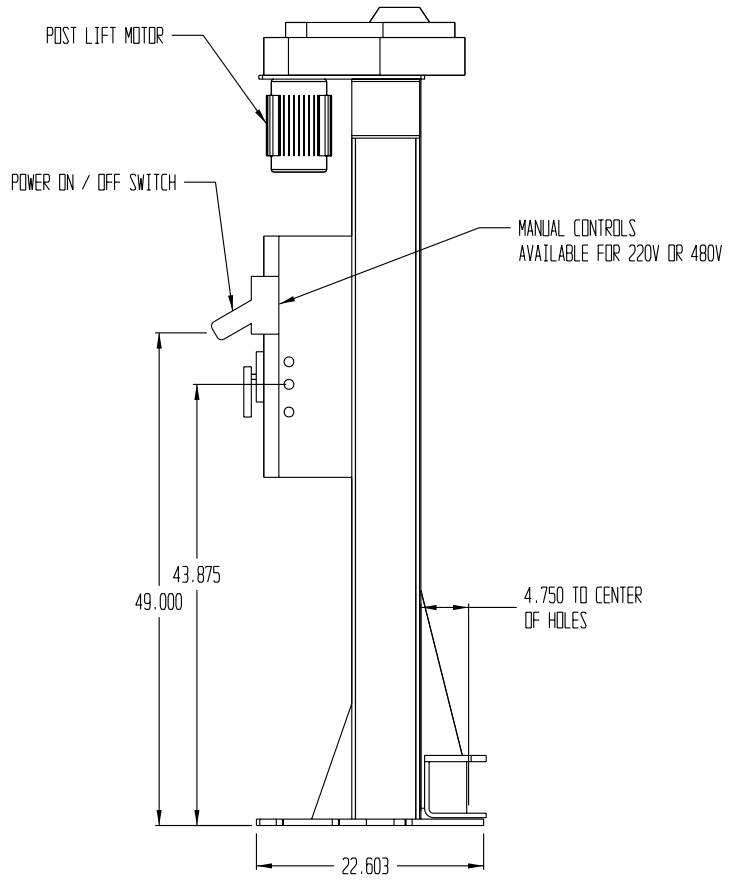
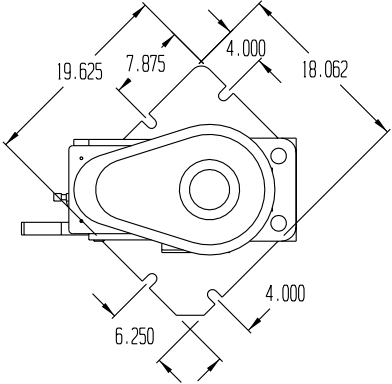


PART #: V-3000

REVISIONS			
REV	DESCRIPTION	DATE	APPROVED



CAPACITY: UP TO 3000 LBS

PDS	PART#	MATERIAL#	DESCRIPTION	QTY	UNIT
<p>TOLERANCES UNLESS OTHERWISE NOTED</p> <p>.X ± .250</p> <p>.XX ± .125</p> <p>.XXX ± 0.030</p> <p>.XXXX ± 0.0050</p> <p>ANGLE ± 1°</p>					
			<p>2760 RIDGEWAY COURT • WALLED LAKE, MI. 48390-1662</p>		
<p>DRN:</p>			<p>MATERIAL:</p>		
<p>PART #: V-3000</p>		<p>CHKD. BY:</p>	<p>DWG NO.:</p>	<p>REV:</p>	<p>REF:</p>
<p>TITLE: V-3000</p>					