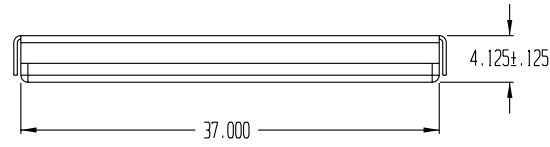
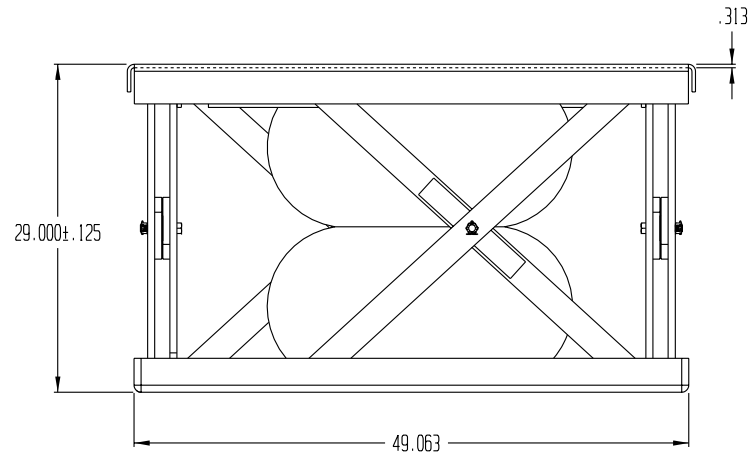
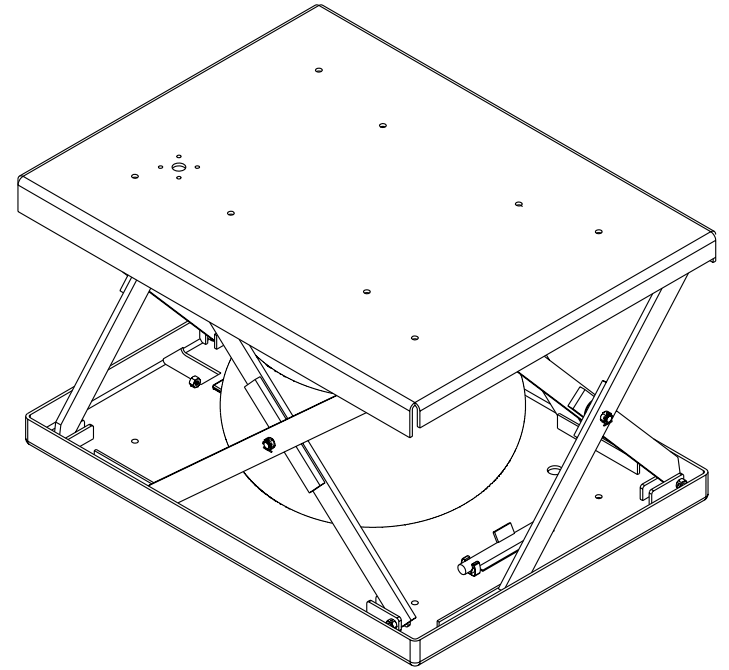
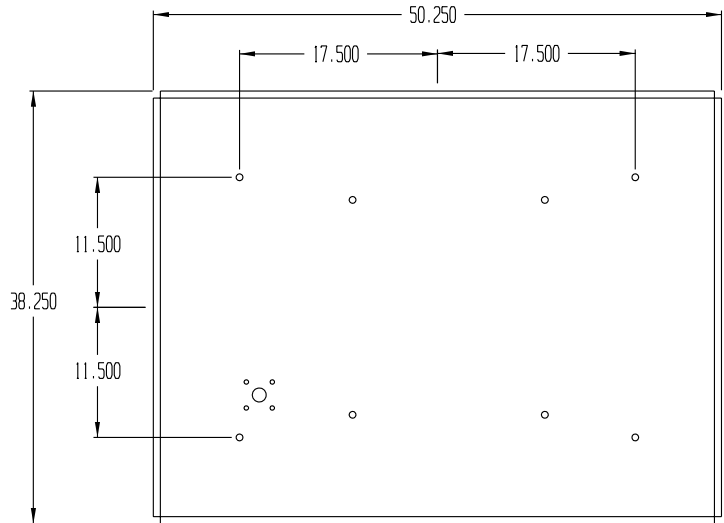


PART #: V900

REVISIONS			
REV	DESCRIPTION	DATE	APPROVED



LIFT SPECS  
 CAPACITY: 6000 LBS  
 SAFETY FEATURES: PRESSURE RELIEF VALVE

PDS	PART#	MATERIAL#	DESCRIPTION	QTY	UNIT
TOLERANCES UNLESS OTHERWISE NOTED .X ± .250 .XX ± .125 .XXX ± 0.030 .XXXX ± 0.0050 ANGLE ± 1°					
			2760 RIDGEWAY COURT • WALLED LAKE, MI. 48390-1662 TITLE: LIFT MODULE V900 (11797)		
DRN:	JP 08-04-06	MATERIAL:			
PART #:	V900	CHKD. BY:	DWG NO.:	02064047	REV: REF: