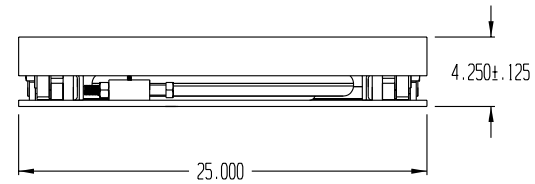
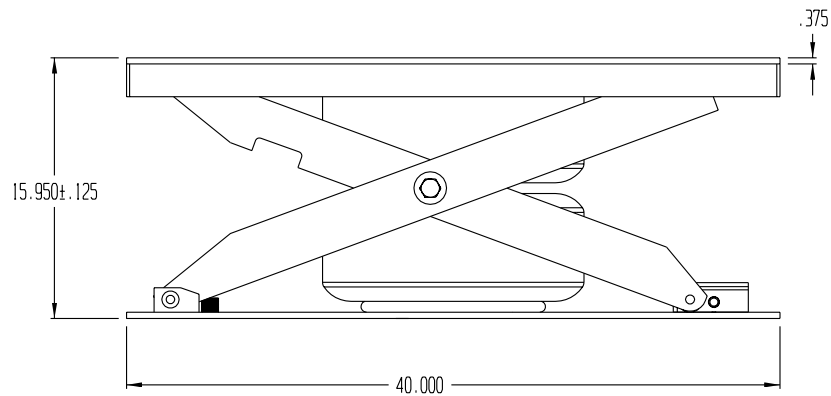
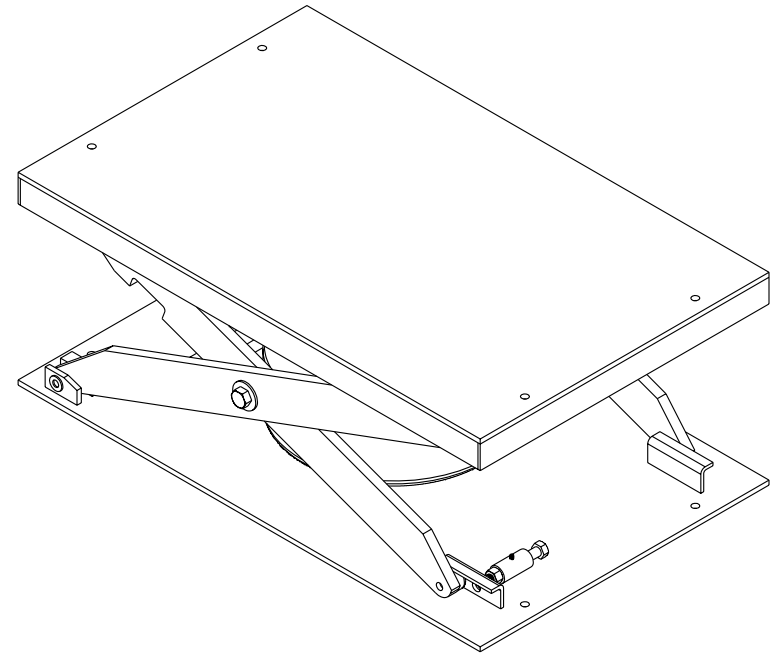
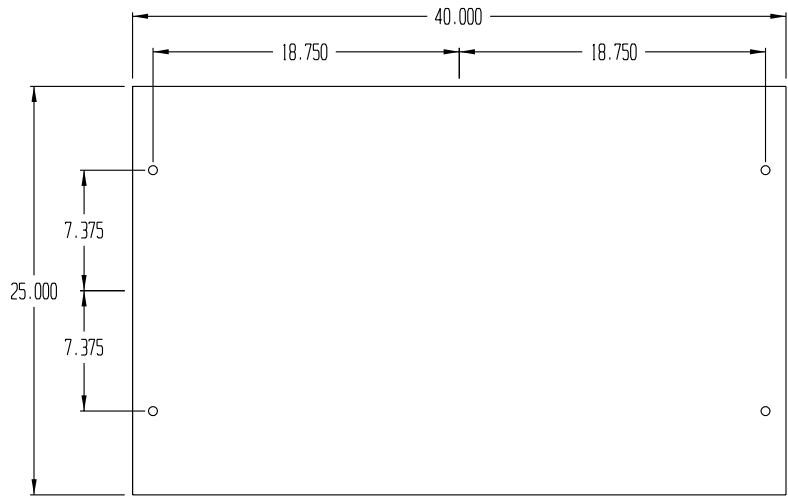


PART #: V350

REVISIONS			
REV	DESCRIPTION	DATE	APPROVED



LIFT SPECIFICATIONS  
 CAPACITY: 4000 LBS  
 SAFETY FEATURES: PRESSURE RELIEF VALVE

POS	PART#	MATERIAL#	DESCRIPTION	QTY	UNIT
TOLERANCES UNLESS OTHERWISE NOTED .X ± .250 .XX ± .125 .XXX ± 0.030 .XXXX ± 0.0050 ANGLE ± 1°					
			2760 RIDGEWAY COURT • WALLED LAKE, MI. 48390-1662		
DRN: JP 08-04-06			MATERIAL:		
PART #: V350			TITLE: LIFT MODULE V350 (12157)		
CHKD. BY:		DWG NO.: 02064043		REV: REF:	